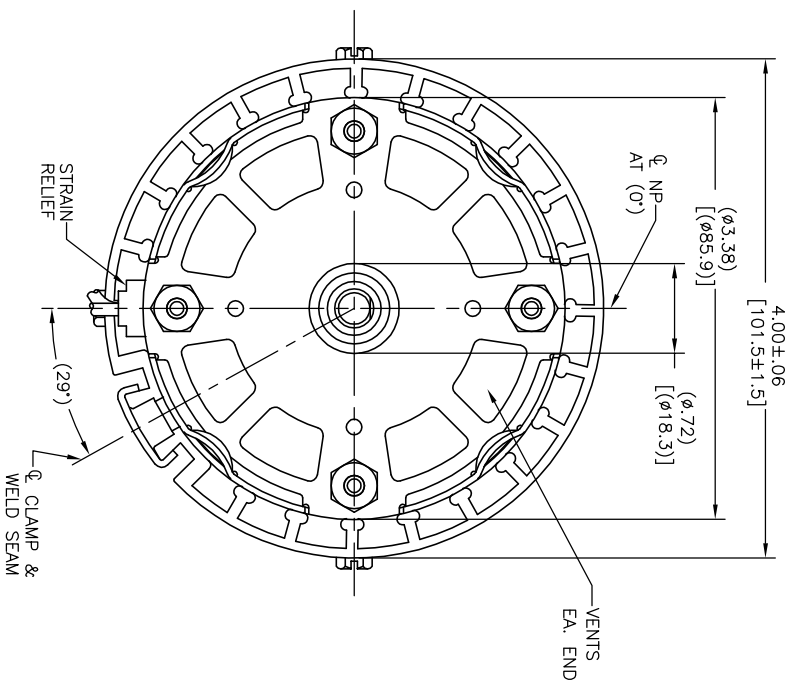
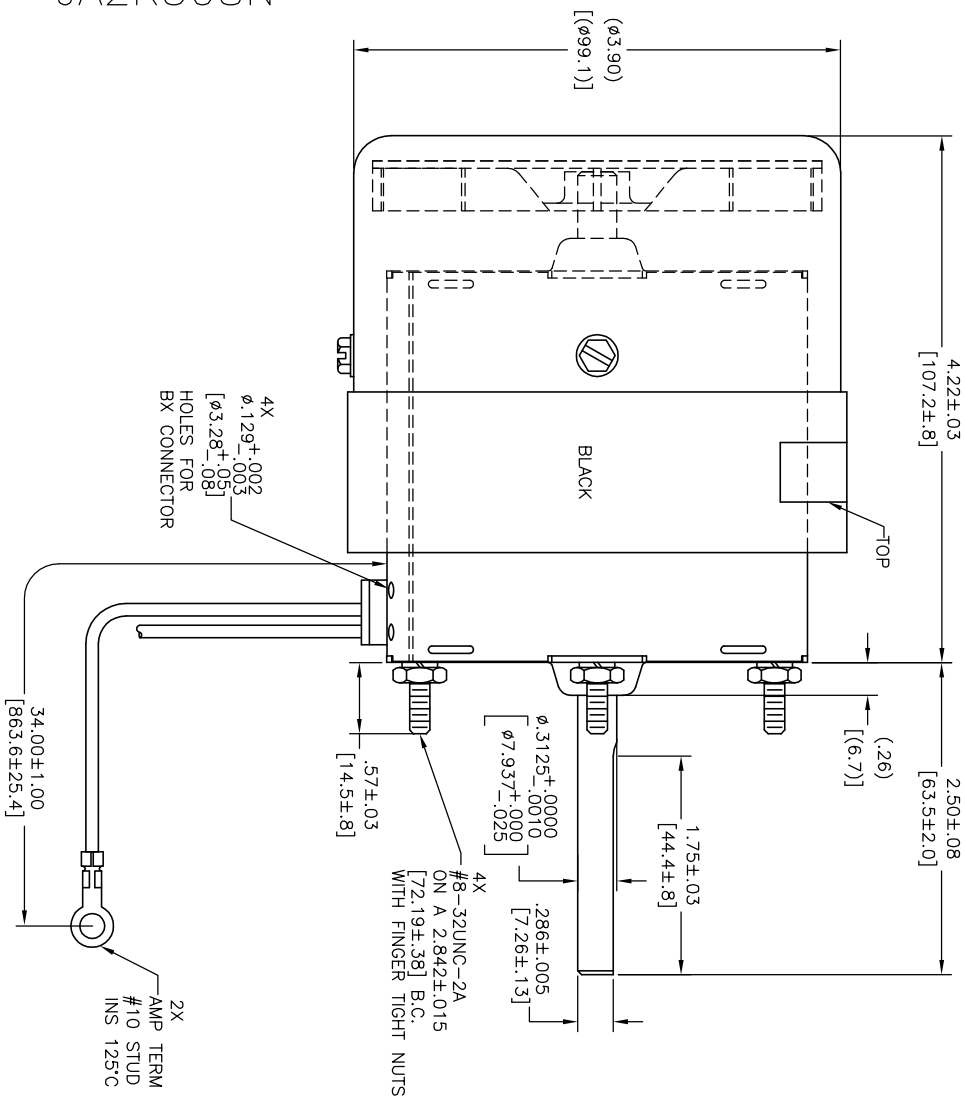


CUSTOMER IS SOLELY RESPONSIBLE FOR MOTOR PERFORMANCE AND SUITABILITY IN APPLICATIONS FOR CUSTOMER'S USES

REV	ECO	REV BY	DATE	APPD	DATE
U	0027406	JAGUILERA	07-16-2012	MAYILA	07-16-2012

END PLAY .04[1.0] MAX.



JA2R308N"

4X Ø1.29+0.002 -0.003 [Ø3.28+0.051] HOLES FOR BX CONNECTOR

4X #8-32UNC-2A ON A 2.842±.015 [72.19±.38] B.C. WITH FINGER TIGHT NUTS

2X AMP TERM #41333 FOR #10 STUD ON 18 GA. .06[1.5] INS 125C EPDM LEADS

SHIP SEPARATE:
(1) 72T139A-102
BAG ASSEMBLY

AFTERMARKET

ELECTRICALLY PER
SAMPLE S-9861E
CCWLE

NAMEPLATE DATA:
Tipp City, OH
SERIAL DATE: PLT MOD JA2R308N" STOCK NO. 981
460V 60HZ .6A 1550RPM 1/15HP A.O. CCWLE
CLASS B INS. ASSEMBLED IN MEXICO → ROTATION →



GEOMETRIC CHARACTERISTICS & SYMBOLS
FLATNESS
SURF FINISH
PERPENDICULARITY (SQUARENESS)
PARALLELISM
ROUNDNESS (CIRCULARITY)
IRREGULARITY
PROFILE OF ANY SURFACE
RUNOUT
TRUE POSITION
CONCENTRICITY
SYMMETRY

UNLESS OTHERWISE SPECIFIED DIM. TOLERANCES ARE AS FOLLOWS:
INCH ±.001 X ±.002 XXXX
ANG. ±.01 DEG.
REMOVE BURS & BREAK SHARP EDGES:
CORNER FILLETS TO:
INCH .020 mm 0.5
MACHINE SURFACES:
INCH 12/32 mm 3.2

ASME Y14.5M 1994 [BRACKETS]

DR. BY: WJC

EDS DATE 11-11-2011
FORMAT REV H

THIRD ANGLE PROJECTION
CONFIDENTIAL: THIS DRAWING AND ITS INFORMATION ARE THE EXCLUSIVE AND CONFIDENTIAL PROPERTY OF REGAL-BELOIT CORPORATION AND ARE NOT TO BE DISCLOSED, DUPLICATED, DISTRIBUTED OR OTHERWISE USED WITHOUT THE WRITTEN CONSENT OF REGAL-BELOIT CORPORATION. ALL RIGHTS RESERVED.

REGAL REGAL-BELOIT CORPORATION

MODEL-SFHP-3.3
OUTLINE

DESCRIPTION	SIZE	DWG NO	SCALE
MODEL-SFHP-3.3 OUTLINE	C	JA2R308	NONE

A

B

C

D

JA2R308N"

A

B

C

D

4

3

2

1

SHEET 1