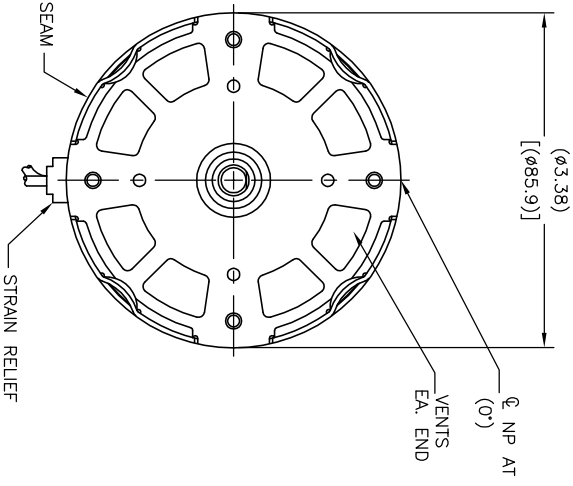
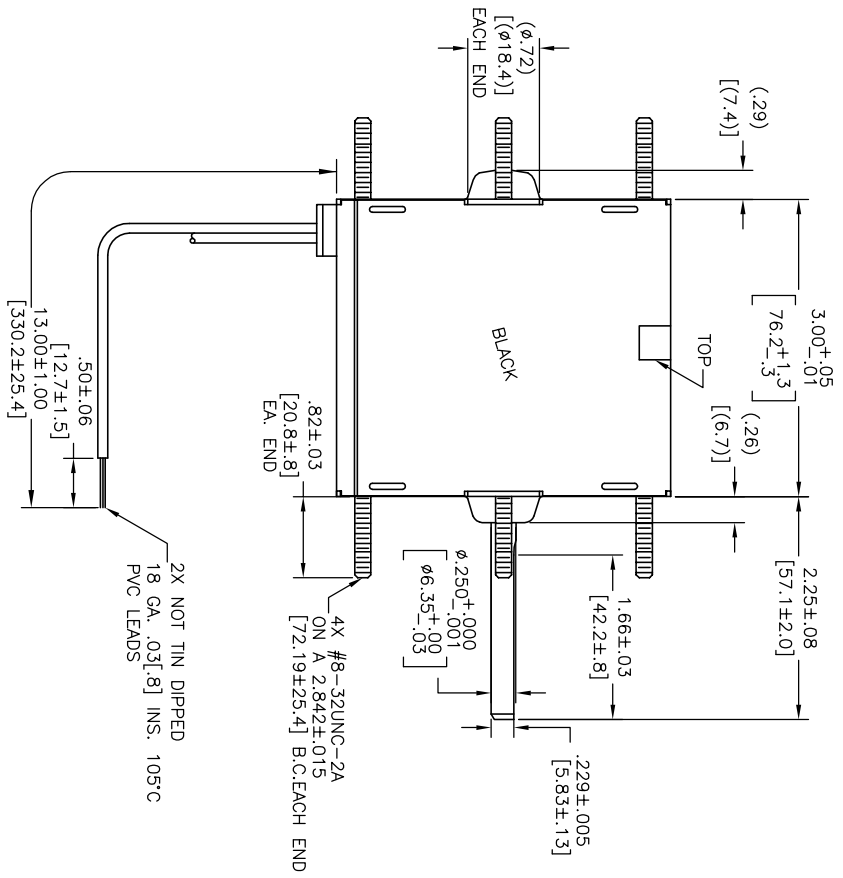


CUSTOMER IS SOLELY RESPONSIBLE FOR MOTOR PERFORMANCE AND SUITABILITY IN APPLICATIONS FOR CUSTOMER'S USES

REV	ECO	REV BY	DATE	APPD	DATE
M	0027406	JAGUILERA	07-16-2012	MAVILA	07-16-2012

END PLAY .04[1.0] MAX.



JA1P101N''

JA1P101N''

NAMEPLATE DATA:

Century THERMALLY PROTECTED Tip City, OH
 SER DATE, PLT MOD JA1P105N
 230V 60HZ .67A 3000RPM 1/25HP
 CLASS B INS. STK NO. 980
 ← ROTATION ← ASSEMBLED IN MEXICO

ELECTRICALLY PER SAMPLE S-9904E
 CWILE-CWSE BOM CHG [J]

AFTERMARKET

GEOMETRIC CHARACTERISTICS & SYMBOLS	UNLESS OTHERWISE SPECIFIED DIM. TOLERANCES ARE AS FOLLOWS:
FLATNESS	INCH ±.005
STRAIGHTNESS	INCH ±.005
PERPENDICULARITY (SQUARENESS)	INCH ±.005
PARALLELISM	INCH ±.005
ROUNDNESS (CIRCULARITY)	INCH ±.005
CYLINDRICITY	INCH ±.005
PROFILE OF ANY SURFACE	INCH ±.005
TRUE POSITION	INCH ±.005
CONCENTRICITY	INCH ±.005
SYMMETRY	INCH ±.005

DR. BY:	AS
EDS DATE	11-11-2011
FORMAT REV	H

DESCRIPTION	MODEL	SIZE	DWG NO	SCALE	SHEET
REGAL-BELOIT CORPORATION	MODEL-SFHP-3.3	C	JA1P105	NONE	1

4

3

2

1

A

B

C

D

A

B

C

D