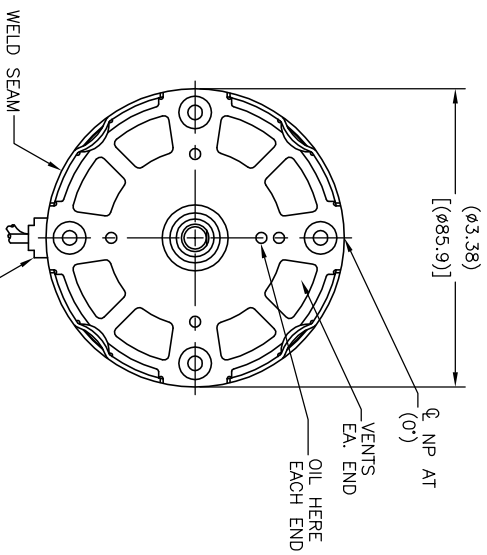
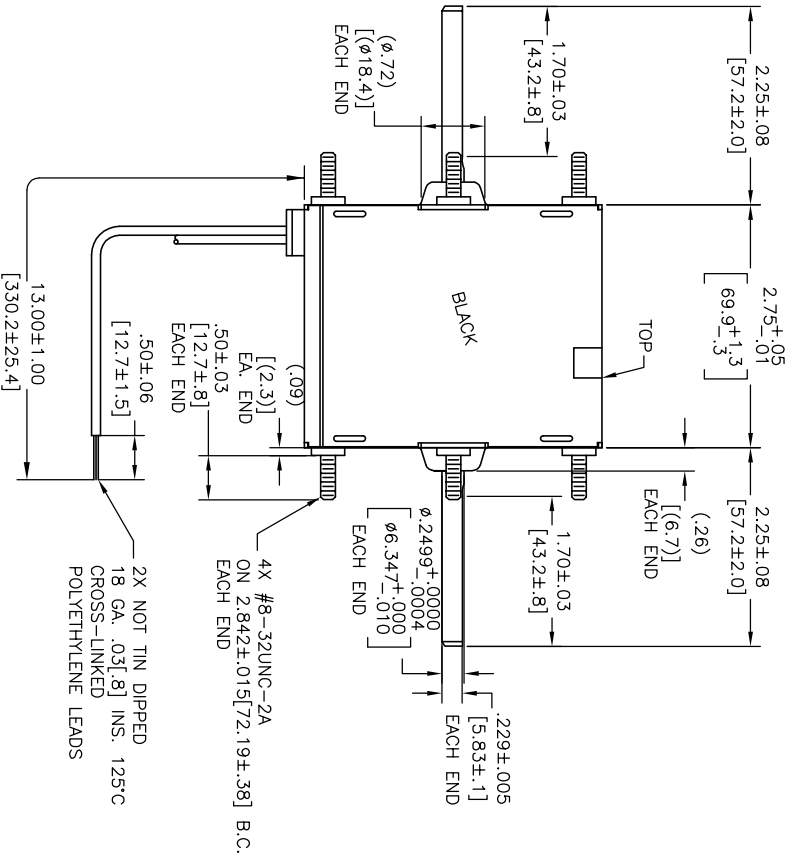


CUSTOMER IS SOLELY RESPONSIBLE FOR MOTOR PERFORMANCE AND SUITABILITY IN APPLICATIONS FOR CUSTOMER'S USES

END PLAY .04[1.0] MAX.

REV	ECO	REV BY	DATE	APPD	DATE
H	0027406	JJAGUILERA	07-16-2012	MAYILA	07-16-2012



JA1N122N

JA1N122N

NAMEPLATE DATA:

Century
 THERMALLY PROTECTED
 SER. DATE, PLT MOD JA1N122N STOCK #979
 230V 60HZ .55A 3000RPM 1/30HP A.O.
 CLASS B INS. AO207 ASSEMBLED IN MEXICO

Tipp City, OH



ELECTRICALLY PER
 SAMPLE S-9944E
 BOM CHG [F]

AFTERMARKET

GEOMETRIC CHARACTERISTICS & SYMBOLS	UNLESS OTHERWISE SPECIFIED DIM. TOLERANCES ARE AS FOLLOWS:
FLATNESS	INCH ±.0005
STRAIGHTNESS	INCH ±.0005
PERPENDICULARITY (SQUARENESS)	INCH ±.0013
PARALLELISM	INCH ±.0013
ROUNDNESS (CIRCULARITY)	INCH ±.0013
CYLINDRICITY	INCH ±.0013
PROFILE OF ANY SURFACE	INCH ±.0013
TRUE POSITION	INCH ±.0013
CONCENTRICITY	INCH ±.0013
SIMMETRY	INCH ±.0013

DR. BY:	AS
APPD:	
EDS DATE:	11-11-2011
FORMAT REV:	H
THIRD ANGLE PROJECTION	
CONFIDENTIAL: THIS DRAWING AND ITS INFORMATION ARE THE EXCLUSIVE AND CONFIDENTIAL PROPERTY OF REGAL-BELOIT CORPORATION AND ARE NOT TO BE DISCLOSED, DUPLICATED, DISTRIBUTED OR OTHERWISE USED WITHOUT THE WRITTEN CONSENT OF REGAL-BELOIT CORPORATION. ALL RIGHTS RESERVED.	

DESCRIPTION	MODEL	SCALE	SHEET
REGAL-BELOIT CORPORATION	SFHP-3.3 OUTLINE	NONE	1
REGAL-BELOIT CORPORATION	JA1N122		

A

B

C

D

4

3

2

1

4

3

2

1

A

B

C

D