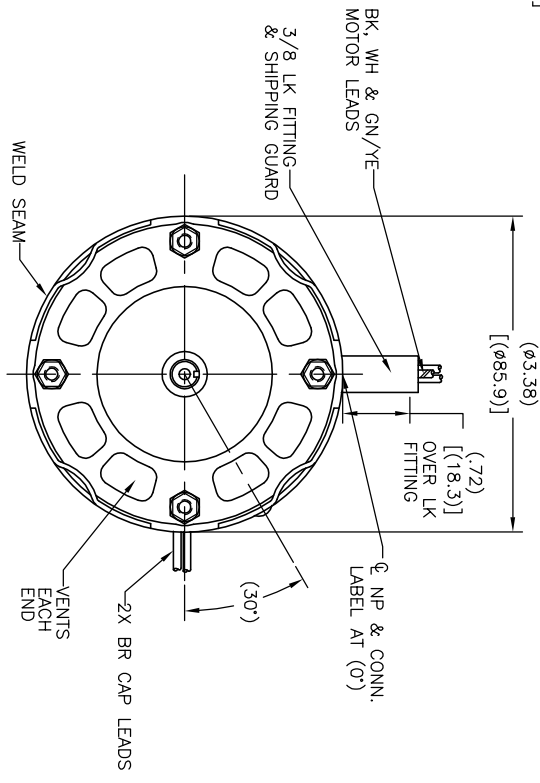
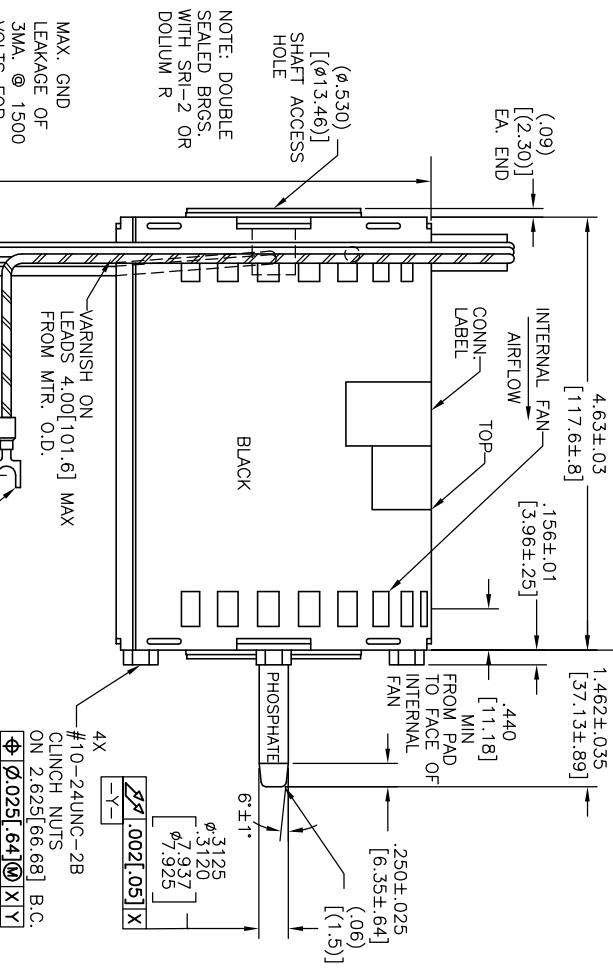


CUSTOMER IS SOLELY RESPONSIBLE FOR MOTOR PERFORMANCE AND SUITABILITY IN APPLICATIONS FOR CUSTOMER'S USES

REV	ECO	REV BY	DATE	APPD	DATE
N	0027407	FANVARRO	07-16-2012	MAYILA	07-16-2012

LE BEARING PRELOAD

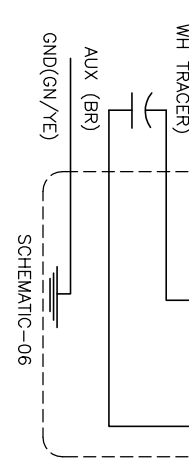


AXIAL SHAFT MOVEMENT SHALL NOT EXCEED .005[.13] WITH A FORCE OF 8LBS. APPLIED TO THE END OF THE SHAFT EXTENSION

NAMEPLATE DATA:
Century THERMALLY PROTECTED
 SER. DATE, P.L.T. MOD. JF1F068N' STK. NO.964
 120V 60HZ .85A 3400RPM 1/15HP AO
 BALL BEARINGS CLASS B INS. MAX AMB 40°C
 3MFD 300VAC CAP. ASSEMBLED IN MEXICO

Tip City, OH
 UNLESS OTHERWISE SPECIFIED DIM. TOLERANCES ARE AS FOLLOWS:
 INCH .005 ±.013
 ANG. ±50 DEG.
 REMOVE BURRS & BREAK SHARP EDGES:
 CORNER FILLETS TO:
 INCH .020 mm 0.5
 MACHINE SURFACES:
 INCH 125 mm 3.2
 METRIC DIMS. SHOWN IN [BRACKETS]

DR. BY: JIMERM
 APPD: 12-03-2012
 EDS DATE 11-11-2011
 THIRD ANGLE PROJECTION
 CONFIDENTIAL: THIS DRAWING AND ITS INFORMATION ARE THE EXCLUSIVE AND CONFIDENTIAL PROPERTY OF REGAL-BELOIT CORPORATION AND ARE NOT TO BE DISCLOSED, DUPLICATED, DISTRIBUTED OR OTHERWISE USED WITHOUT THE WRITTEN CONSENT OF REGAL-BELOIT CORPORATION. -ALL RIGHTS RESERVED.



REGAL-BELOIT CORPORATION
 MODEL-SFHP-3.3
 OUTLINE
 JF1F068

GEOMETRIC CHARACTERISTICS & SYMBOLS	UNLESS OTHERWISE SPECIFIED DIM. TOLERANCES ARE AS FOLLOWS:	DR. BY:	DATE	DESCRIPTION	SCALE	SHEET
FINISHES SURFINISHES PERPENDICULARITY (SQUARENESS) PARALLELISM ROUNDNESS (CIRCULARITY) CYLINDRICITY PROFILE OF ANY SURFACE RUNOUT TRUE POSITION CONCENTRICITY	INCH .005 ±.013 ANG. ±50 DEG. REMOVE BURRS & BREAK SHARP EDGES: CORNER FILLETS TO: INCH .020 mm 0.5 MACHINE SURFACES: INCH 125 mm 3.2 METRIC DIMS. SHOWN IN [BRACKETS]	JIMERM	12-03-2012	MODEL-SFHP-3.3 OUTLINE	NONE	1

JF1F068N'