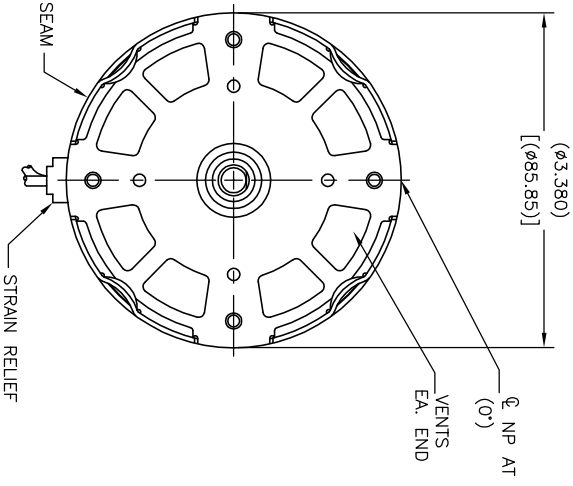
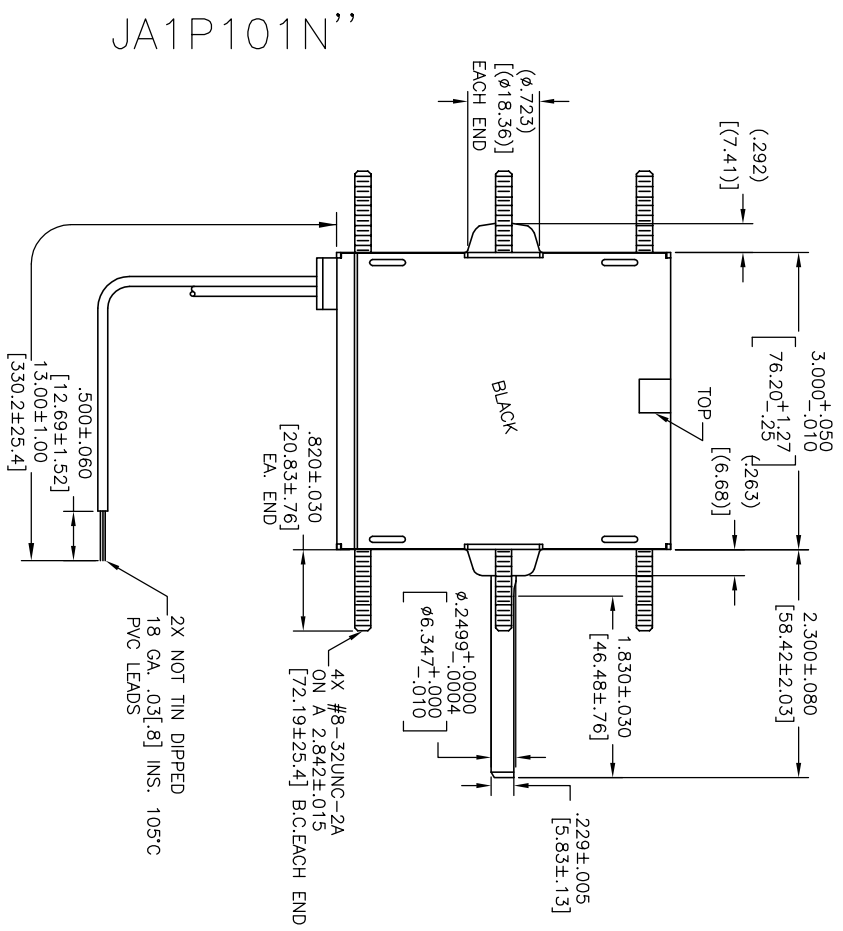


CUSTOMER IS SOLELY RESPONSIBLE FOR MOTOR PERFORMANCE AND SUITABILITY IN APPLICATIONS FOR CUSTOMER'S USES

REV	ECO	REV BY	DATE	APPD	DATE
L	0027410	L. BERNAL	07-13-2012	G. ALVAREZ	07-13-2012

END PLAY .04[1.0] MAX.



JA1P101N''

JA1P101N''

NAMEPLATE DATA:

Century THERMALLY PROTECTED Tippi City, OH
 SER. DATE, PLT MOD JA1P101N''
 230V 50/60HZ 1.6/1.2A 3000RPM 1/15HP
 CLASS B INS. STOCK NO. 948 ← ROTATION →
 ASSEMBLED IN MEXICO



GEOMETRIC CHARACTERISTICS & SYMBOLS
 a FLATNESS
 b STRAIGHTNESS
 c SURFACE FINISH
 d PERPENDICULARITY (SQUARENESS)
 e PARALLELISM
 f ROUNDNESS (CIRCULARITY)
 g CYLINDRICITY
 h PROFILE OF ANY SURFACE
 i TRUE POSITION
 j RUNOUT
 k CONCENTRICITY

UNLESS OTHERWISE SPECIFIED DIM. TOLERANCES ARE AS FOLLOWS:
 INCH ±.0005
 MM ±.013
 ANG. ±50 DEG.
 REMOVE BURRS & BREAK SHARP EDGES:
 INCH .003-.015
 MM 0.1-0.4
 CORNER FILETS TO:
 INCH .020
 MM 0.5
 MACHINE SURFACES:
 INCH 125
 MM 3.2
 METRIC DIMS. SHOWN IN [BRACKETS]

DR. BY: WJC

APPD:

EDS DATE 11-11-2011

FORMAT REV H

THIRD ANGLE PROJECTION

CONFIDENTIAL: THIS DRAWING AND ITS INFORMATION ARE THE EXCLUSIVE AND CONFIDENTIAL PROPERTY OF REGAL-BELOIT CORPORATION AND ARE NOT TO BE DISCLOSED, DUPLICATED, DISTRIBUTED OR OTHERWISE USED WITHOUT THE WRITTEN CONSENT OF REGAL-BELOIT CORPORATION. -ALL RIGHTS RESERVED.

REGAL-BELOIT CORPORATION

MODEL-SFHP-3.3

OUTLINE

JA1P101

SCALE NONE

SHEET 1

AFTERMARKET

DR. BY: WJC

APPD:

EDS DATE 11-11-2011

FORMAT REV H

THIRD ANGLE PROJECTION

CONFIDENTIAL: THIS DRAWING AND ITS INFORMATION ARE THE EXCLUSIVE AND CONFIDENTIAL PROPERTY OF REGAL-BELOIT CORPORATION AND ARE NOT TO BE DISCLOSED, DUPLICATED, DISTRIBUTED OR OTHERWISE USED WITHOUT THE WRITTEN CONSENT OF REGAL-BELOIT CORPORATION. -ALL RIGHTS RESERVED.

REGAL-BELOIT CORPORATION

MODEL-SFHP-3.3

OUTLINE

JA1P101

SCALE NONE

SHEET 1

AFTERMARKET

ELECTRICALLY PER SAMPLE S-9541E

CWILE-CWSE BOM CHG [J]

AFTERMARKET

A

B

C

D

A

B

C

D

4

3

2

1