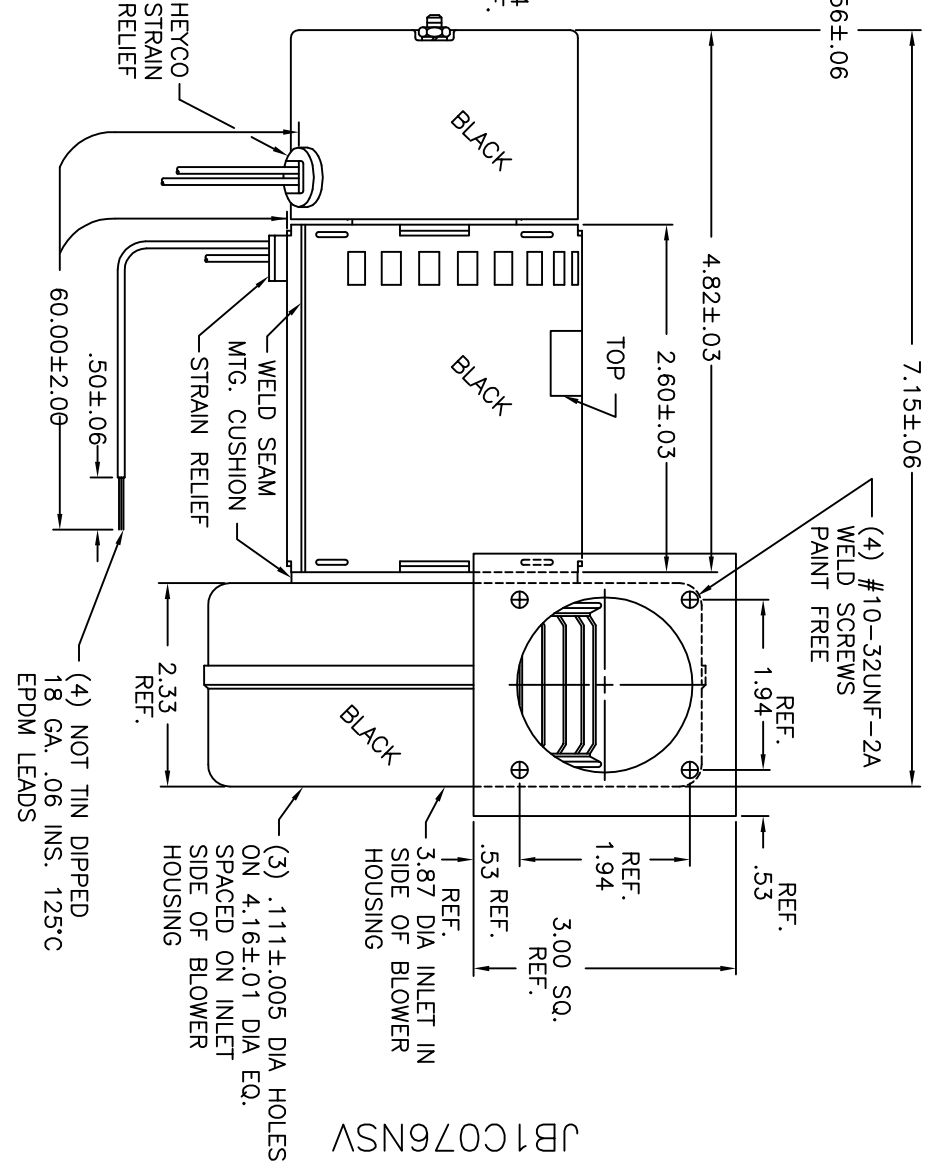
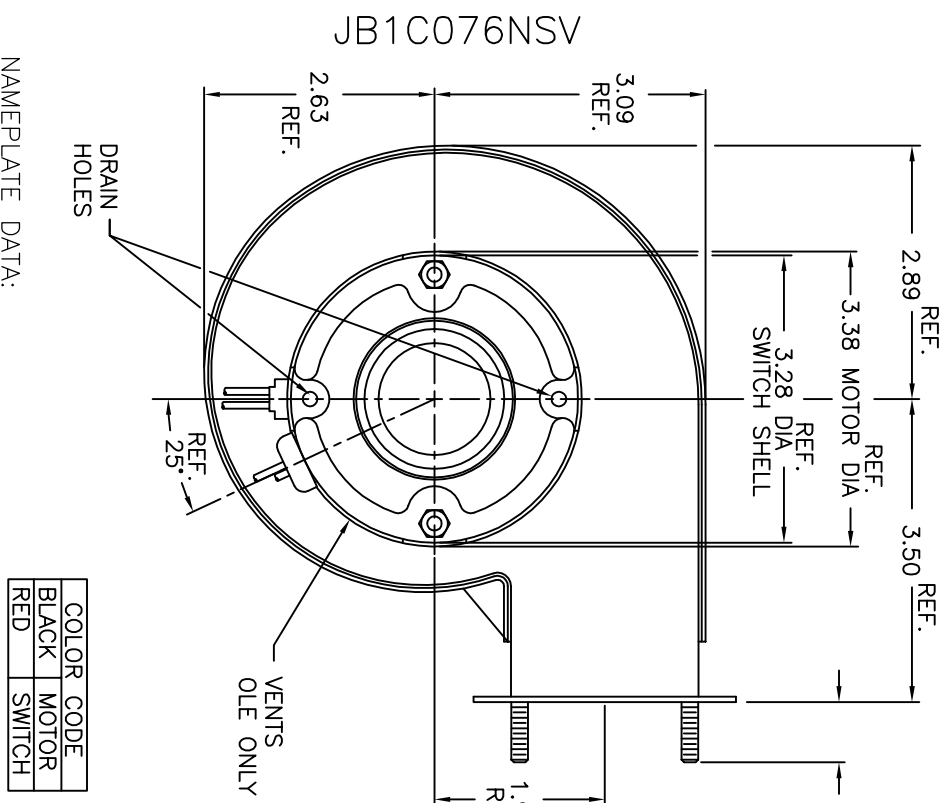


CUSTOMER IS SOLELY RESPONSIBLE FOR MOTOR PERFORMANCE AND SUITABILITY IN APPLICATIONS FOR CUSTOMER'S USES.

OLE BEARING PRELOAD

REV	ECO	REV BY	DATE	APPD	DATE
D	0027411	O. CARVAL	07-13-2012	G. ALVAREZ	07-13-2012



COLOR CODE	MOTOR	SWITCH
BLACK		
RED		

NAMEPLATE DATA:

Century Tapp City, OH THERMALLY PROTECTED
 SER. DATE, PLT MTR MOD. JB1C076NSV
 230V 60HZ .54A 3000RPM 1/50HP 1PH CONT AO
 BALL BEARINGS BLACK MOTOR RED SWITCH
 CENT. SWITCH MAX 5.0A AT 115V — ROTATION →
 ASSEMBLED IN MEXICO STOCK NO. 775

USE VERNCO BLOWER WHEEL #12002 ONLY

CWLE—CCWSE CHG. LTR. [H]

AFTERMARKET STOCK NUMBER 775

GEOMETRIC CHARACTERISTICS & SYMBOLS	UNLESS OTHERWISE SPECIFIED DIM. TOLERANCES ARE AS FOLLOWS:
a FINISH	INCH ±.0005
b SURFINISH	INCH ±.001
c PERPENDICULARITY (SQUARENESS)	ANG. ±.05 DEG.
d PARALLELISM	INCH ±.003
e ROUNDNESS (CIRCULARITY)	INCH ±.003
f CYLINDRICITY	INCH ±.003
g PROFILE OF ANY SURFACE	INCH ±.003
h TRUE POSITION	INCH ±.003
i ROUNDT	INCH ±.003
j CONCENTRICITY	INCH ±.003

DR BY:	JIMERA
DATE:	12-03-2002
EDS DATE:	11-11-2011
FORMAT:	REV H

REGAL	REGAL-BELOTT CORPORATION
DESCRIPTION:	MODEL—SFHP—3.3 OUTLINE
SIZE:	C
DWG NO:	JB1C076
SCALE:	NONE
SHEET:	1

4 3 2 1

A B C D