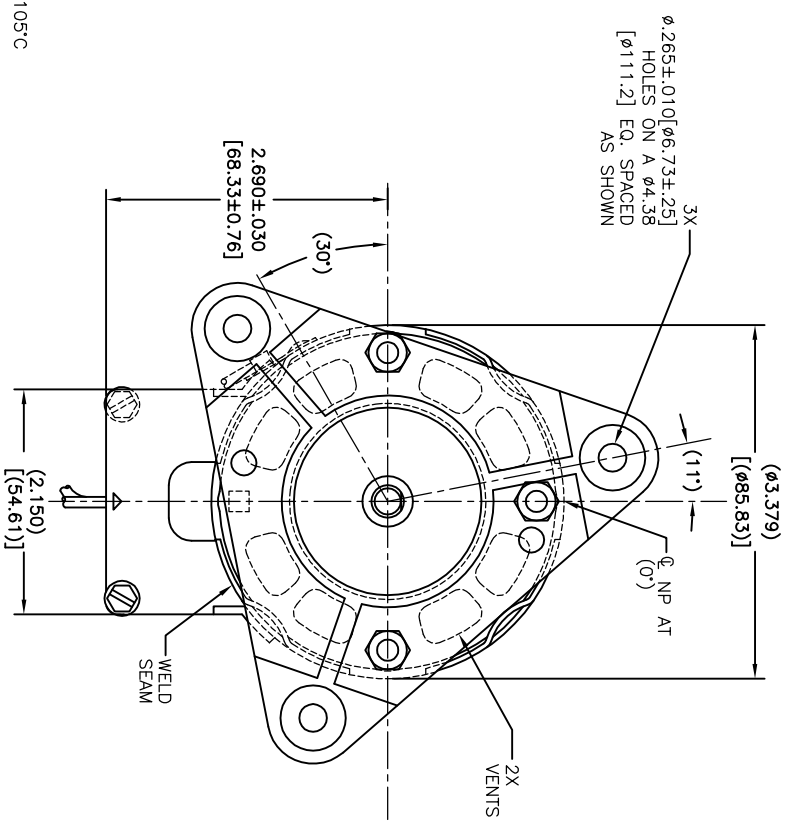
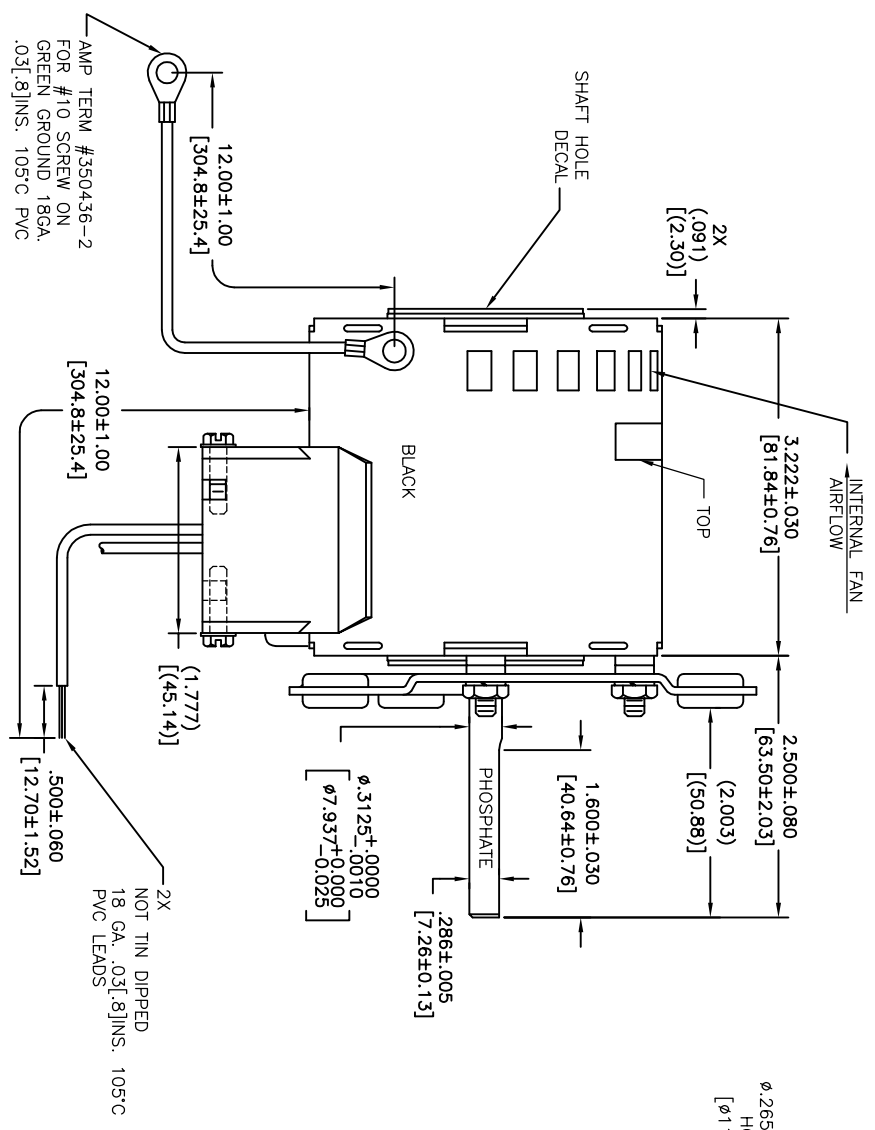


CUSTOMER IS SOLELY RESPONSIBLE FOR MOTOR PERFORMANCE AND SUITABILITY IN APPLICATIONS FOR CUSTOMER'S USES

REV	ECO	REV BY	DATE	APPD	DATE
AM	0027411	O. CARVALLO	07-13-2012	G. ALVAREZ	07-13-2012

OLE BEARING PRELOAD



NAMEPLATE DATA:

Century THERMALLY PROTECTED
 MOD JB2N043N#
 SER. DATE, PLT
 115V 60HZ 1.0A 1550RPM 1PH 1/30HP STOCK NO.77
 BALL BEARINGS CONT A.O. A01173 ←ROTATION←
 ASSEMBLED IN MEXICO

Top City, OH

- GEOMETRIC CHARACTERISTICS & SYMBOLS
- FLATNESS
 - STRAIGHTNESS
 - PERPENDICULARITY (SQUARENESS)
 - PARALLELISM
 - ROUNDNESS (CIRCULARITY)
 - CYLINDRICITY
 - PROFILE OF ANY SURFACE
 - RUNOUT
 - TRUE POSITION
 - CONCENTRICITY

UNLESS OTHERWISE SPECIFIED DIM. TOLERANCES ARE AS FOLLOWS:

INCH	+	XX	±	XX
MILL	+	XX	±	XX
ANG.	+	XX	±	XX
REMOVE BURRS & BREAK SHARP EDGES:				
CORNER FILLETS TO:				
INCH	.020	mm	0.5	
MACHINE SURFACES:				
INCH	125	mm	3.2	

DR. BY: JIMERM
 12-03-2012
 EDS DATE 11-11-2011
 THIRD ANGLE PROJECTION
 CONFIDENTIAL: THIS DRAWING AND ITS INFORMATION ARE THE EXCLUSIVE AND CONFIDENTIAL PROPERTY OF REGAL-BELOIT CORPORATION AND ARE NOT TO BE DISCLOSED, DUPLICATED, DISTRIBUTED OR OTHERWISE USED WITHOUT THE WRITTEN CONSENT OF REGAL-BELOIT CORPORATION. ALL RIGHTS RESERVED.

ELECTRICALLY PER SAMPLE S-6343D
 CWLE-CWSE
 AFTERMARKET

REGAL REGAL-BELOIT CORPORATION

DESCRIPTION: MODEL-SFHP-3.3
 OUTLINE
 SIZE: C DWG NO: JB2N043

SCALE: NONE SHEET 1