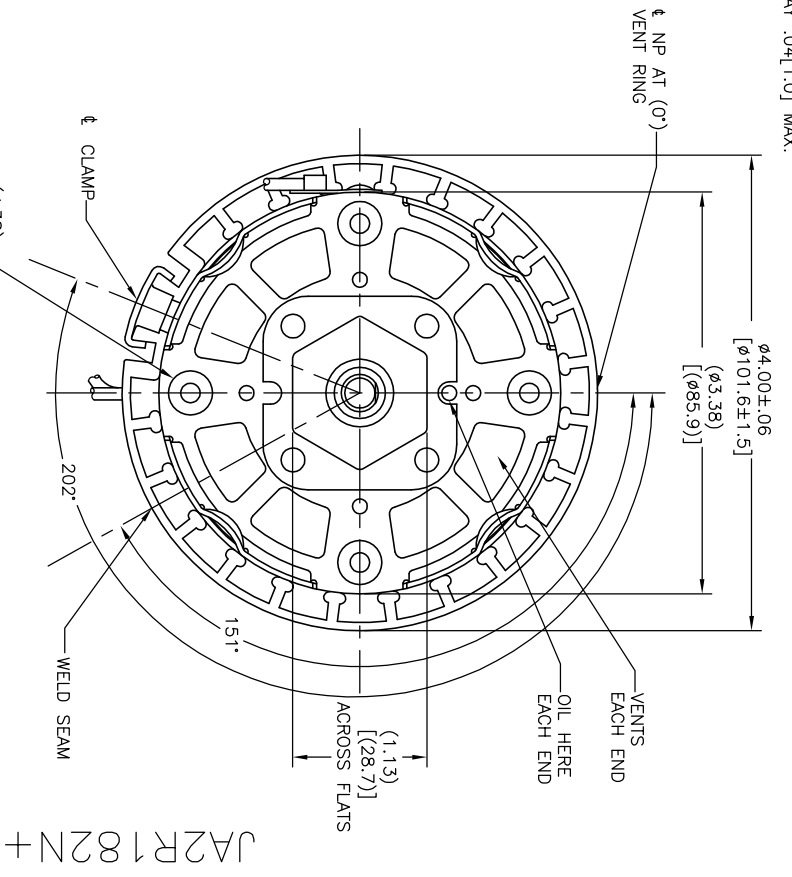
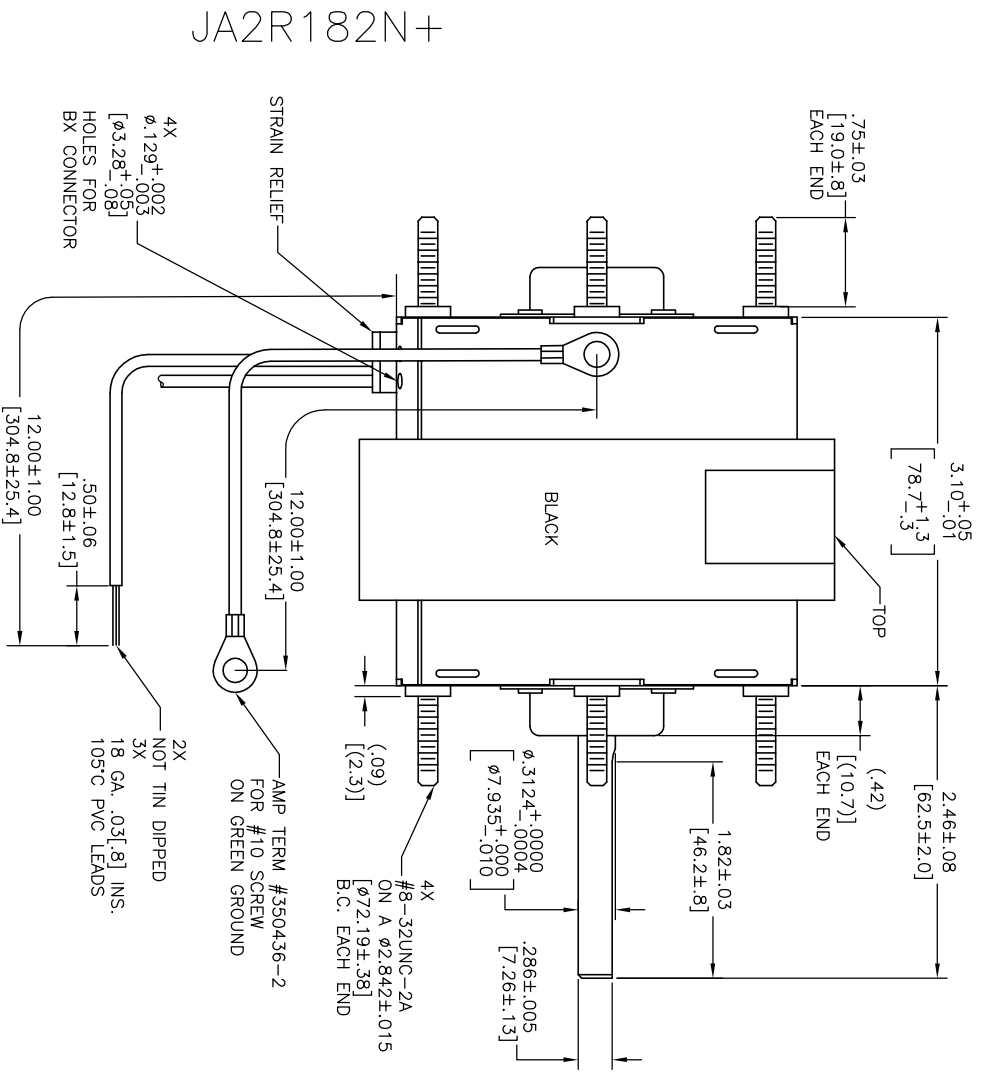


CUSTOMER IS SOLELY RESPONSIBLE FOR MOTOR PERFORMANCE AND SUITABILITY IN APPLICATIONS FOR CUSTOMER'S USES

END PLAY .04[1.0] MAX.

REV	ECO	REV BY	DATE	APPD	DATE
BL	ECO-0030130	J. COX	01-03-2013	JC	01-03-2013



JA2R182N+

JA2R182N+

ELECTRICALLY PER SAMPLE S-3580F
CCWLE-CWSE

NAMEPLATE DATA:
Century
 SER DATE PLT MOD JA2R182N+ STOCK NO. 42
 115V 60HZ 2.2A 1550RPM 1/15HP 1PH CONT AO
 ← ROTATION ← CLASS B INS. ASSEMBLED IN MEXICO

Tipp City, OH
 THERMALLY PROTECTED
REGAL

REGAL-BELOIT CORPORATION

GEOMETRIC CHARACTERISTICS & SYMBOLS	UNLESS OTHERWISE SPECIFIED DIM. TOLERANCES ARE AS FOLLOWS:
FLATNESS	INCH .0005
STRAIGHTNESS	INCH .001
PERPENDICULARITY (SQUARENESS)	INCH .005
PARALLELISM	INCH .005
ROUNDNESS (CIRCULARITY)	INCH .005
CYLINDRICITY	INCH .005
PROFILE OF ANY SURFACE	INCH .020
RUNOUT	INCH .020
TRUE POSITION	INCH .020
CONCENTRICITY	INCH .020
SIMMETRY	INCH .020

DR. BY:	DD
APPD:	
EDS DATE:	11-11-2011
FORMAT REV:	H

DESCRIPTION	SCALE	SHEET
MODEL-SFHP-3.3 OUTLINE JA2R182	NONE	1

A B C D 4 3 2 1