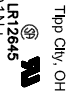


CLASSIFICATION OF SPECIFICATIONS  
 ● = CRITICAL ○ = MAJOR

NAMEPLATE DATA:



THERMALLY PROTECTED

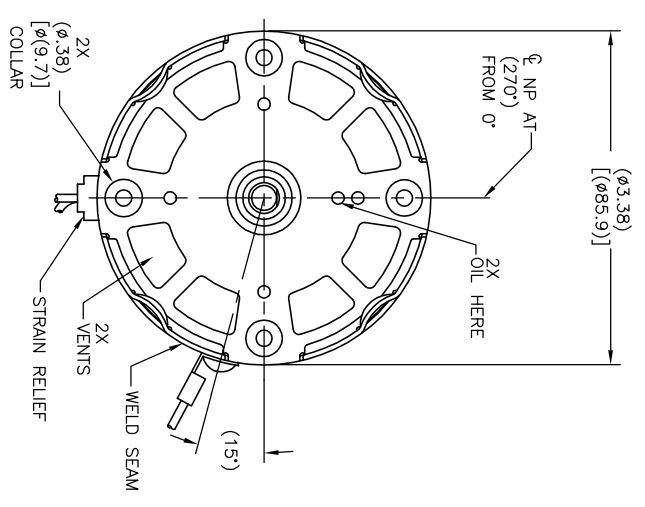
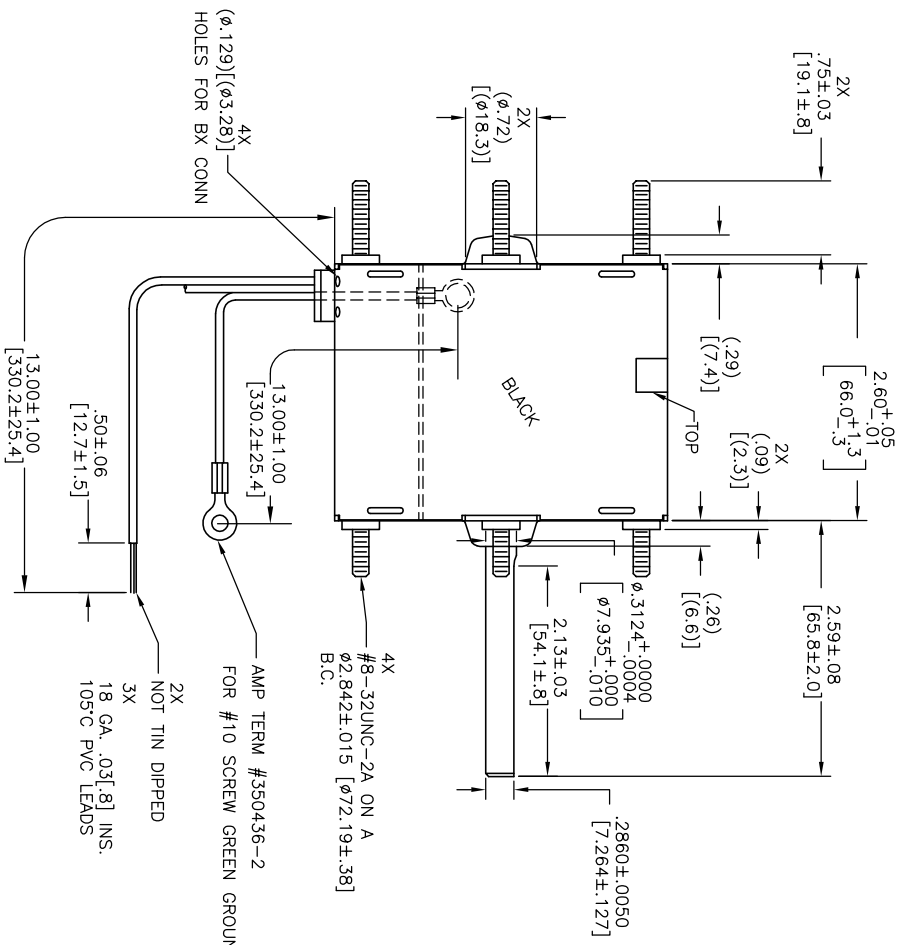


SER. DATE PLT MOD JAZN191N+  
 115V 60HZ 1.6A 1550RPM 1/25HP CONT AO 1PH  
 ← ROTATION → STOCK NO. 30 A0132  
 CLASS B INS. ASSEMBLED IN "COUNTRY OF ORIGIN"

CUSTOMER IS SOLELY RESPONSIBLE FOR  
 MOTOR PERFORMANCE AND SUITABILITY IN  
 APPLICATIONS FOR CUSTOMER'S USES

REV	ECO	REV BY	DATE	APPD	DATE
C	0027741	R.LIAN	08-01-2012	B.SHEN	08-01-2012
COUNTRY OF ORIGIN			ELECTRICALLY PER SAMPLE		
MEXICO			S-3423F		
CHINA			CCWLE-CWSE		

END PLAY .04[1.0] MAX.



GEOMETRIC CHARACTERISTICS & SYMBOLS  
 Z FLATNESS  
 STRAIGHTNESS  
 ANGULARITY  
 PERPENDICULARITY (SQUARENESS)  
 PARALLELISM  
 ROUNDNESS (CIRCULARITY)  
 ROUNDNESS  
 PROFILE OF ANY SURFACE  
 TRUE POSITION  
 CONCENTRICITY  
 SYMMETRY

UNLESS OTHERWISE SPECIFIED  
 DIM. TOLERANCES ARE AS FOLLOWS:  
 INCH X XX XXX XXXX  
 mm ±.1 ±.02 ±.005 ±.0005  
 ANG. ±50 DEG  
 REMOVE BURRS & BREAK SHARP EDGES:  
 INCH .003-.015  
 mm 0.1-0.4  
 CONCH EDG. RND. 0.5  
 MACHINE SURFACES:  
 INCH 125/ mm 3.2/

DR BY: JIMERM  
 APPD: 12-03-2002  
 THIRD ANGLE PROJECTION  
 EDS DATE 11-11-2011  
 CONCEPTUAL THIS DRAWING AND ITS INFORMATION ARE THE EXCLUSIVE PROPERTY OF REGAL-BELOIT CORPORATION AND ARE NOT TO BE DISCLOSED, REPRODUCED, COPIED, DISTRIBUTED OR OTHERWISE USED WITHOUT THE WRITTEN CONSENT OF REGAL-BELOIT CORPORATION.  
 ALL RIGHTS RESERVED.

REGAL-BELOIT CORPORATION  
 MODEL-SFHP-3.3  
 OUTLINE  
 SIZE C DWG NO 30  
 SCALE NONE SHEET 1

JAZN191N+

JAZN191N+