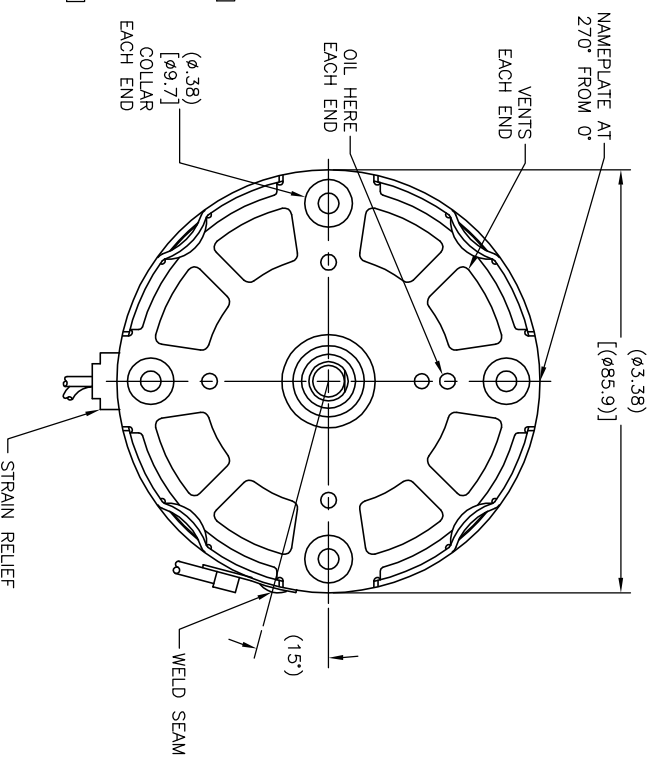
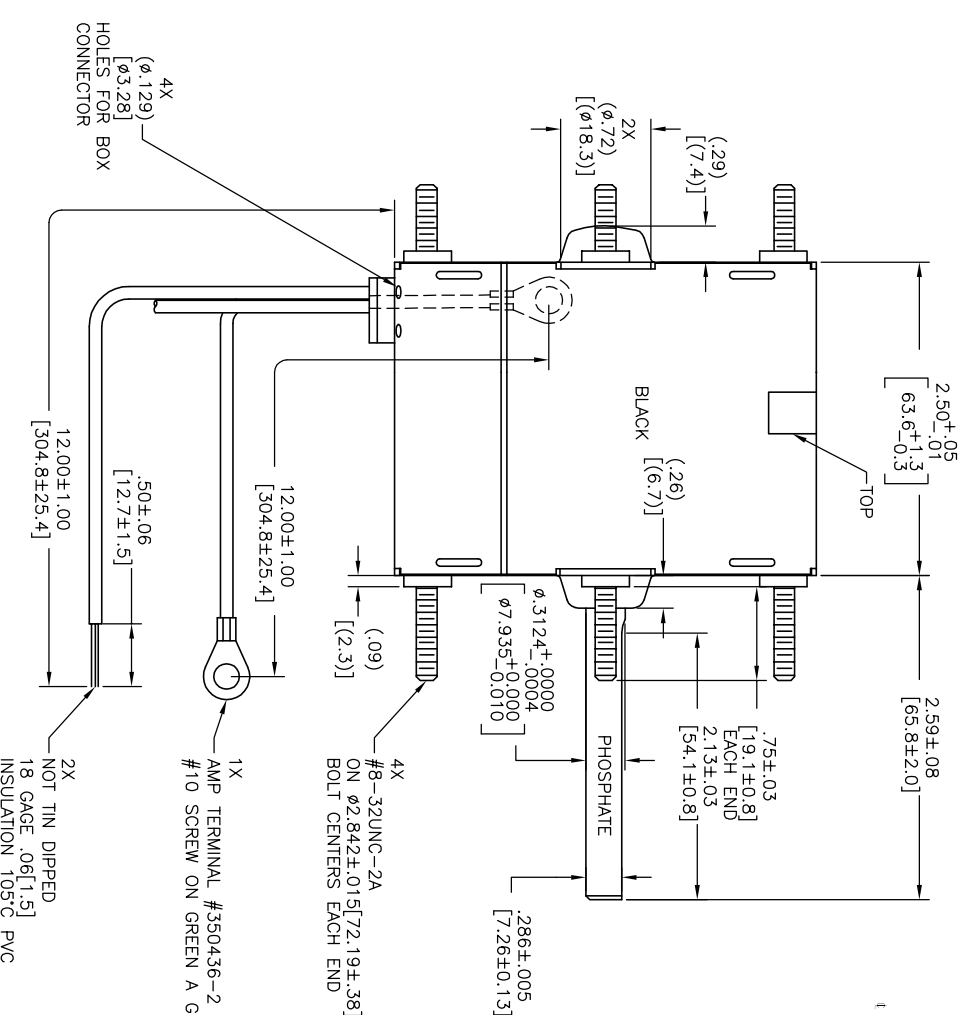


CUSTOMER IS SOLELY RESPONSIBLE FOR MOTOR PERFORMANCE AND SUITABILITY IN APPLICATIONS FOR CUSTOMER'S USES

REV	ECO	REV BY	DATE	APPD	DATE
AR	0027421	H.ZHOU	07-13-2012	B.SHEN	07-13-2012



UNLESS OTHERWISE SPECIFIED DIM. TOLERANCES ARE AS FOLLOWS:
 INCH DIMS: X .125, XX .005, XXX .0005, XXXX .0001
 ANG. ±.50 DEG, REMOVE BURRS & BREAK SHARP EDGES.
 HOLE DIMS: TO MACHINE SURFACES: INCH .020, mm 0.5
 HOLE DIMS: TO TRUE POSITION: INCH .125, mm 3.2

DR BY: DD
 APPD: [Signature]
 THIRD ANGLE PROJECTION
 EDS DATE: 11-11-2011
 FORMAT REV: H

REGAL BELOIT CORPORATION
 MODEL-SFHP-3.3
 OUTLINE
 JAZN190

GEOMETRIC CHARACTERISTICS & SYMBOLS
 Z STRAIGHTNESS
 A ANGULARITY
 P PERPENDICULARITY (SQUARENESS)
 D PARALLELISM
 R ROUNDNESS (CIRCULARITY)
 S PROFILE OF ANY SURFACE
 C PROFILE OF ANY SURFACE
 R RUNOUT
 P TRUE POSITION
 C CONCENTRICITY
 S SYMMETRY

ASME Y14.5M 1994

NAMEPLATE DATA:
 THERMALLY PROTECTED
 Tippecanoe, OH
 SER. DATE PLT MOD. JAZN190N+
 115V 60HZ 1.2A 1550RPM 1/30HP 1PH CONT AO
 STOCK NO. 29
 CLASS B INS. ASSEMBLED IN MEXICO

ELECTRICALLY PER SAMPLE S-3594F
 CWLE-CWSE

2X HOLES FOR BOX CONNECTOR
 4X
 2X NOT TIN DIPPED 18 GAGE .06 [1.5] INSULATION 105°C PVC
 1X AMP TERMINAL #350436-2 FOR #10 SCREW ON GREEN A GROUND

Ø.3124+0.0000 -0.0004
 Ø7.935+0.010 -0.010
 2.86±.005
 7.5±.03
 19.1±0.8 EACH END
 2.13±.03
 54.1±0.8
 Ø18.3
 Ø7.22
 Ø1.29
 Ø3.28
 2X
 4X
 TOP
 2.50±.05
 63.6±1.3
 2.59±.08
 65.8±2.0
 12.00±1.00
 304.8±25.4
 12.00±1.00
 12.7±1.5
 50±.06
 12.00±1.00
 304.8±25.4
 12.00±1.00
 12.7±1.5
 50±.06
 12.00±1.00
 304.8±25.4

Ø.3124+0.0000 -0.0004
 Ø7.935+0.010 -0.010
 2.86±.005
 7.5±.03
 19.1±0.8 EACH END
 2.13±.03
 54.1±0.8
 Ø18.3
 Ø7.22
 Ø1.29
 Ø3.28
 2X
 4X
 TOP
 2.50±.05
 63.6±1.3
 2.59±.08
 65.8±2.0
 12.00±1.00
 304.8±25.4
 12.00±1.00
 12.7±1.5
 50±.06
 12.00±1.00
 304.8±25.4
 12.00±1.00
 12.7±1.5
 50±.06
 12.00±1.00
 304.8±25.4

Ø.3124+0.0000 -0.0004
 Ø7.935+0.010 -0.010
 2.86±.005
 7.5±.03
 19.1±0.8 EACH END
 2.13±.03
 54.1±0.8
 Ø18.3
 Ø7.22
 Ø1.29
 Ø3.28
 2X
 4X
 TOP
 2.50±.05
 63.6±1.3
 2.59±.08
 65.8±2.0
 12.00±1.00
 304.8±25.4
 12.00±1.00
 12.7±1.5
 50±.06
 12.00±1.00
 304.8±25.4
 12.00±1.00
 12.7±1.5
 50±.06
 12.00±1.00
 304.8±25.4

Ø.3124+0.0000 -0.0004
 Ø7.935+0.010 -0.010
 2.86±.005
 7.5±.03
 19.1±0.8 EACH END
 2.13±.03
 54.1±0.8
 Ø18.3
 Ø7.22
 Ø1.29
 Ø3.28
 2X
 4X
 TOP
 2.50±.05
 63.6±1.3
 2.59±.08
 65.8±2.0
 12.00±1.00
 304.8±25.4
 12.00±1.00
 12.7±1.5
 50±.06
 12.00±1.00
 304.8±25.4
 12.00±1.00
 12.7±1.5
 50±.06
 12.00±1.00
 304.8±25.4

Ø.3124+0.0000 -0.0004
 Ø7.935+0.010 -0.010
 2.86±.005
 7.5±.03
 19.1±0.8 EACH END
 2.13±.03
 54.1±0.8
 Ø18.3
 Ø7.22
 Ø1.29
 Ø3.28
 2X
 4X
 TOP
 2.50±.05
 63.6±1.3
 2.59±.08
 65.8±2.0
 12.00±1.00
 304.8±25.4
 12.00±1.00
 12.7±1.5
 50±.06
 12.00±1.00
 304.8±25.4
 12.00±1.00
 12.7±1.5
 50±.06
 12.00±1.00
 304.8±25.4

Ø.3124+0.0000 -0.0004
 Ø7.935+0.010 -0.010
 2.86±.005
 7.5±.03
 19.1±0.8 EACH END
 2.13±.03
 54.1±0.8
 Ø18.3
 Ø7.22
 Ø1.29
 Ø3.28
 2X
 4X
 TOP
 2.50±.05
 63.6±1.3
 2.59±.08
 65.8±2.0
 12.00±1.00
 304.8±25.4
 12.00±1.00
 12.7±1.5
 50±.06
 12.00±1.00
 304.8±25.4
 12.00±1.00
 12.7±1.5
 50±.06
 12.00±1.00
 304.8±25.4

Ø.3124+0.0000 -0.0004
 Ø7.935+0.010 -0.010
 2.86±.005
 7.5±.03
 19.1±0.8 EACH END
 2.13±.03
 54.1±0.8
 Ø18.3
 Ø7.22
 Ø1.29
 Ø3.28
 2X
 4X
 TOP
 2.50±.05
 63.6±1.3
 2.59±.08
 65.8±2.0
 12.00±1.00
 304.8±25.4
 12.00±1.00
 12.7±1.5
 50±.06
 12.00±1.00
 304.8±25.4
 12.00±1.00
 12.7±1.5
 50±.06
 12.00±1.00
 304.8±25.4

Ø.3124+0.0000 -0.0004
 Ø7.935+0.010 -0.010
 2.86±.005
 7.5±.03
 19.1±0.8 EACH END
 2.13±.03
 54.1±0.8
 Ø18.3
 Ø7.22
 Ø1.29
 Ø3.28
 2X
 4X
 TOP
 2.50±.05
 63.6±1.3
 2.59±.08
 65.8±2.0
 12.00±1.00
 304.8±25.4
 12.00±1.00
 12.7±1.5
 50±.06
 12.00±1.00
 304.8±25.4
 12.00±1.00
 12.7±1.5
 50±.06
 12.00±1.00
 304.8±25.4

Ø.3124+0.0000 -0.0004
 Ø7.935+0.010 -0.010
 2.86±.005
 7.5±.03
 19.1±0.8 EACH END
 2.13±.03
 54.1±0.8
 Ø18.3
 Ø7.22
 Ø1.29
 Ø3.28
 2X
 4X
 TOP
 2.50±.05
 63.6±1.3
 2.59±.08
 65.8±2.0
 12.00±1.00
 304.8±25.4
 12.00±1.00
 12.7±1.5
 50±.06
 12.00±1.00
 304.8±25.4
 12.00±1.00
 12.7±1.5
 50±.06
 12.00±1.00
 304.8±25.4

Ø.3124+0.0000 -0.0004
 Ø7.935+0.010 -0.010
 2.86±.005
 7.5±.03
 19.1±0.8 EACH END
 2.13±.03
 54.1±0.8
 Ø18.3
 Ø7.22
 Ø1.29
 Ø3.28
 2X
 4X
 TOP
 2.50±.05
 63.6±1.3
 2.59±.08
 65.8±2.0
 12.00±1.00
 304.8±25.4
 12.00±1.00
 12.7±1.5
 50±.06
 12.00±1.00
 304.8±25.4
 12.00±1.00
 12.7±1.5
 50±.06
 12.00±1.00
 304.8±25.4

Ø.3124+0.0000 -0.0004
 Ø7.935+0.010 -0.010
 2.86±.005
 7.5±.03
 19.1±0.8 EACH END
 2.13±.03
 54.1±0.8
 Ø18.3
 Ø7.22
 Ø1.29
 Ø3.28
 2X
 4X
 TOP
 2.50±.05
 63.6±1.3
 2.59±.08
 65.8±2.0
 12.00±1.00
 304.8±25.4
 12.00±1.00
 12.7±1.5
 50±.06
 12.00±1.00
 304.8±25.4
 12.00±1.00
 12.7±1.5
 50±.06
 12.00±1.00
 304.8±25.4

Ø.3124+0.0000 -0.0004
 Ø7.935+0.010 -0.010
 2.86±.005
 7.5±.03
 19.1±0.8 EACH END
 2.13±.03
 54.1±0.8
 Ø18.3
 Ø7.22
 Ø1.29
 Ø3.28
 2X
 4X
 TOP
 2.50±.05
 63.6±1.3
 2.59±.08
 65.8±2.0
 12.00±1.00
 304.8±25.4
 12.00±1.00
 12.7±1.5
 50±.06
 12.00±1.00
 304.8±25.4
 12.00±1.00
 12.7±1.5
 50±.06
 12.00±1.00
 304.8±25.4

Ø.3124+0.0000 -0.0004
 Ø7.935+0.010 -0.010
 2.86±.005
 7.5±.03
 19.1±0.8 EACH END
 2.13±.03
 54.1±0.8
 Ø18.3
 Ø7.22
 Ø1.29
 Ø3.28
 2X
 4X
 TOP
 2.50±.05
 63.6±1.3
 2.59±.08
 65.8±2.0
 12.00±1.00
 304.8±25.4
 12.00±1.00
 12.7±1.5
 50±.06
 12.00±1.00
 304.8±25.4
 12.00±1.00
 12.7±1.5
 50±.06
 12.00±1.00
 304.8±25.4

Ø.3124+0.0000 -0.0004
 Ø7.935+0.010 -0.010
 2.86±.005
 7.5±.03
 19.1±0.8 EACH END
 2.13±.03
 54.1±0.8
 Ø18.3
 Ø7.22
 Ø1.29
 Ø3.28
 2X
 4X
 TOP
 2.50±.05
 63.6±1.3
 2.59±.08
 65.8±2.0
 12.00±1.00
 304.8±25.4
 12.00±1.00
 12.7±1.5
 50±.06
 12.00±1.00
 304.8±25.4
 12.00±1.00
 12.7±1.5
 50±.06
 12.00±1.00
 304.8±25.4

Ø.3124+0.0000 -0.0004
 Ø7.935+0.010 -0.010
 2.86±.005
 7.5±.03
 19.1±0.8 EACH END
 2.13±.03
 54.1±0.8
 Ø18.3
 Ø7.22
 Ø1.29
 Ø3.28
 2X
 4X
 TOP
 2.50±.05
 63.6±1.3
 2.59±.08
 65.8±2.0
 12.00±1.00
 304.8±25.4
 12.00±1.00
 12.7±1.5
 50±.06
 12.00±1.00
 304.8±25.4
 12.00±1.00
 12.7±1.5
 50±.06
 12.00±1.00
 304.8±25.4

Ø.3124+0.0000 -0.0004
 Ø7.935+0.010 -0.010
 2.86±.005
 7.5±.03
 19.1±0.8 EACH END
 2.13±.03
 54.1±0.8
 Ø18.3
 Ø7.22
 Ø1.29
 Ø3.28
 2X
 4X
 TOP
 2.50±.05
 63.6±1.3
 2.59±.08
 65.8±2.0
 12.00±1.00
 304.8±25.4
 12.00±1.00
 12.7±1.5
 50±.06
 12.00±1.00
 304.8±25.4
 12.00±1.00
 12.7±1.5
 50±.06
 12.00±1.00
 304.8±25.4

Ø.3124+0.0000 -0.0004
 Ø7.935+0.010 -0.010
 2.86±.005
 7.5±.03
 19.1±0.8 EACH END
 2.13±.03
 54.1±0.8
 Ø18.3
 Ø7.22
 Ø1.29
 Ø3.28
 2X
 4X
 TOP
 2.50±.05
 63.6±1.3
 2.59±.08
 65.8±2.0
 12.00±1.00
 304.8±25.4
 12.00±1.00
 12.7±1.5
 50±.06
 12.00±1.00
 304.8±25.4
 12.00±1.00
 12.7±1.5
 50±.06
 12.00±1.00
 304.8±25.4

Ø.3124+0.0000 -0.0004
 Ø7.935+0.010 -0.010
 2.86±.005
 7.5±.03
 19.1±0.8 EACH END
 2.13±.03
 54.1±0.8
 Ø18.3
 Ø7.22
 Ø1.29
 Ø3.28
 2X
 4X
 TOP
 2.50±.05
 63.6±1.3
 2.59±.08
 65.8±2.0
 12.00±1.00
 304.8±25.4
 12.00±1.00
 12.7±1.5
 50±.06
 12.00±1.00
 304.8±25.4
 12.00±1.00
 12.7±1.5
 50±.06
 12.00±1.00
 304.8±25.4

Ø.3124+0.0000 -0.0004
 Ø7.935+0.010 -0.010
 2.86±.005
 7.5±.03
 19.1±0.8 EACH END
 2.13±.03
 54.1±0.8
 Ø18.3
 Ø7.22
 Ø1.29
 Ø3.28
 2X
 4X
 TOP
 2.50±.05
 63.6±1.3
 2.59±.08
 65.8±2.0
 12.00±1.00
 304.8±25.4
 12.00±1.00
 12.7±1.5
 50±.06
 12.00±1.00
 304.8±25.4
 12.00±1.00
 12.7±1.5
 50±.06
 12.00±1.00
 304.8±25.4

Ø.3124+0.0000 -0.0004
 Ø7.935+0.010 -0.010
 2.86±.005
 7.5±.03
 19.1±0.8 EACH END
 2.13±.03
 54.1±0.8
 Ø18.3
 Ø7.22
 Ø1.29
 Ø3.28
 2X
 4X
 TOP
 2.50±.05
 63.6±1.3
 2.59±.08
 65.8±2.0
 12.00±1.00
 304.8±25.4
 12.00±1.00
 12.7±1.5
 50±.06
 12.00±1.00
 304.8±25.4
 12.00±1.00
 12.7±1.5
 50±.06
 12.00±1.00
 304.8±25.4

Ø.3124+0.0000 -0.0004
 Ø7.935+0.010 -0.010
 2.86±.005
 7.5±.03
 19.1±0.8 EACH END
 2.13±.03
 54.1±0.8
 Ø18.3
 Ø7.22
 Ø1.29
 Ø3.28
 2X
 4X
 TOP
 2.50±.05
 63.6±1.3
 2.59±.08
 65.8±2.0
 12.00±1.00
 304.8±25.4
 12.00±1.00
 12.7±1.5
 50±.06
 12.00±1.00
 304.8±25.4
 12.00±1.00
 12.7±1.5
 50±.06
 12.00±1.00
 304.8±25.4

Ø.3124+0.0000 -0.0004
 Ø7.935+0.010 -0.010
 2.86±.005
 7.5±.03
 19.1±0.8 EACH END
 2.13±.03
 54.1±0.8
 Ø18.3
 Ø7.22
 Ø1.29
 Ø3.28
 2X
 4X
 TOP
 2.50±.05
 63.6±1.3
 2.59±.08
 65.8±2.0
 12.00±1.00
 304.8±25.4
 12.00±1.00
 12.7±1.5
 50±.06
 12.00±1.00
 304.8±25.4
 12.00±1.00
 12.7±1.5
 50±.06
 12.00±1.00
 304.8±25.4

Ø.3124+0.0000 -0.0004
 Ø7.935+0.010 -0.010
 2.86±.005
 7.5±.03
 19.1±0.8 EACH END
 2.13±.03
 54.1±0.8
 Ø18.3
 Ø7.22
 Ø1.29
 Ø3.28
 2X
 4X
 TOP
 2.50±.05
 63.6±1.3
 2.59±.08
 65.8±2.0
 12.00±1.00
 304.8±25.4
 12.00±1.00
 12.7±1.5
 50±.06
 12.00±1.00
 304.8±25.4
 12.00±1.00
 12.7±1.5
 50±.06
 12.00±1.00
 304.8±25.4

Ø.3124+0.0000 -0.0004
 Ø7.935+0.010 -0.010
 2.86±.005
 7.5±.03
 19.1±0.8 EACH END
 2.13±.03
 54.1±0.8
 Ø18.3
 Ø7.22
 Ø1.29
 Ø3.28
 2X
 4X
 TOP
 2.50±.05
 63.6±1.3
 2.59±.08
 65.8±2.0
 12.00±1.00
 304.8±25.4
 12.00±1.00
 12.7±1.5
 50±.06
 12.00±1.00
 304.8±25.4
 12.00±1.00
 12.7±1.5
 50±.06
 12.00±1.00
 304.8±25.4

Ø.3124+0.0000 -0.0004
 Ø7.935+0.010 -0.010
 2.86±.005
 7.5±.03
 19.1±0.8 EACH END
 2.13±.03
 54.1±0.8
 Ø18.3
 Ø7.22
 Ø1.29
 Ø3.28
 2X
 4X
 TOP
 2.50±.05
 63.6±1.3
 2.59±.08
 65.8±2.0
 12.00±1.00
 304.8±25.4
 12.00±1.00
 12.7±1.5
 50±.06
 12.00±1.00
 304.8±25.4
 12.00±1.00
 12.7±1.5
 50±.06
 12.00±1.00
 304.8±25.4