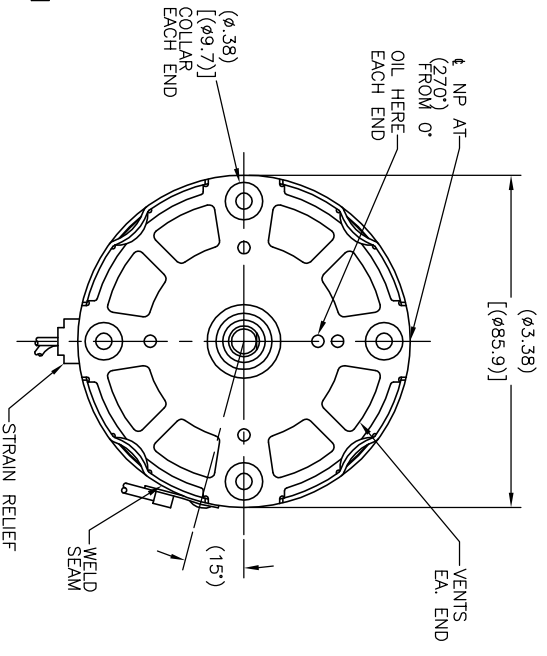
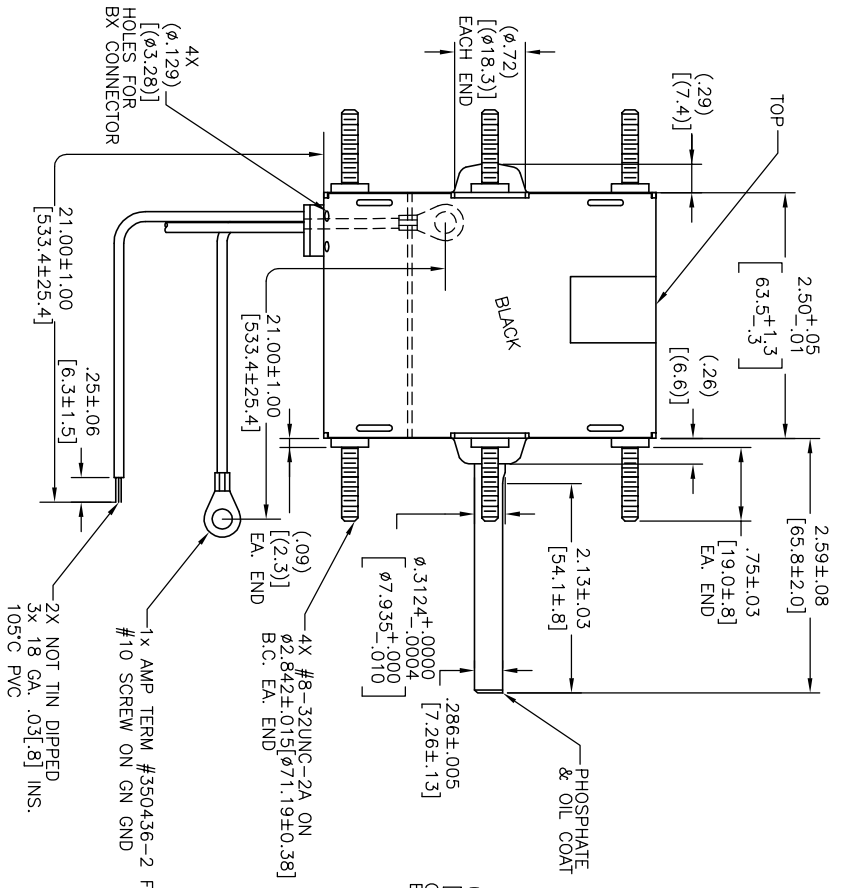


CUSTOMER IS SOLELY RESPONSIBLE FOR MOTOR PERFORMANCE AND SUITABILITY IN APPLICATIONS FOR CUSTOMER'S USES

REV	ECO	REV BY	DATE	APPD	DATE
AT	0027421	H.ZHOU	07-13-2012	B.SHEN	07-13-2012

END PLAY .04[1.0] MAX.



NAMEPLATE DATA:  
**Century**  
 THERMALLY PROTECTED  
 Tipp City, OH

UNLESS OTHERWISE SPECIFIED DIM. TOLERANCES ARE AS FOLLOWS:  
 INCH  $\pm .005$   $\pm .010$   $\pm .015$   $\pm .020$   $\pm .030$   $\pm .040$   $\pm .050$   $\pm .060$   $\pm .075$   $\pm .100$   $\pm .125$   $\pm .150$   $\pm .200$   $\pm .250$   $\pm .300$   $\pm .375$   $\pm .450$   $\pm .562$   $\pm .700$   $\pm .875$   $\pm 1.000$   
 ANG.  $\pm 50$  DEG.  
 REMOVE BURRS & BREAK SHARP EDGES:  
 INCH .003-.015 mm 0.1-0.4  
 CORNER FILLETS TO:  
 INCH .020 mm 0.5  
 MACHINE SURFACES:  
 INCH 12 $\sqrt$  mm 3.2 $\sqrt$   
 METRIC DIMS. SHOWN IN [BRACKETS]

DR. BY: DD  
 APPD: .  
 THIRD ANGLE PROJECTION  
 EDS DATE: 11-11-2011  
 FORMAT REV: H  
 CONFIDENTIAL: THIS DRAWING AND ITS INFORMATION ARE THE EXCLUSIVE AND CONFIDENTIAL PROPERTY OF REGAL-BELOIT CORPORATION AND ARE NOT TO BE DISCLOSED, DUPLICATED, DISTRIBUTED OR OTHERWISE USED WITHOUT THE WRITTEN CONSENT OF REGAL-BELOIT CORPORATION. ALL RIGHTS RESERVED.

REGAL-BELOIT CORPORATION  
 MODEL-SFHP-3.3  
 OUTLINE  
 JA2M331  
 SHEET 1

GEOMETRIC CHARACTERISTICS & SYMBOLS

- FLATNESS
- STRAIGHTNESS
- PERPENDICULARITY (SQUARENESS)
- PARALLELISM
- ROUNDNESS (CIRCULARITY)
- CYLINDRICITY
- PROFILE OF ANY SURFACE
- TRUE POSITION
- CONCENTRICITY
- SYMMETRY

ASME Y14.5M 1994

REGAL-BELOIT CORPORATION

MODEL-SFHP-3.3  
 OUTLINE  
 JA2M331  
 SHEET 1