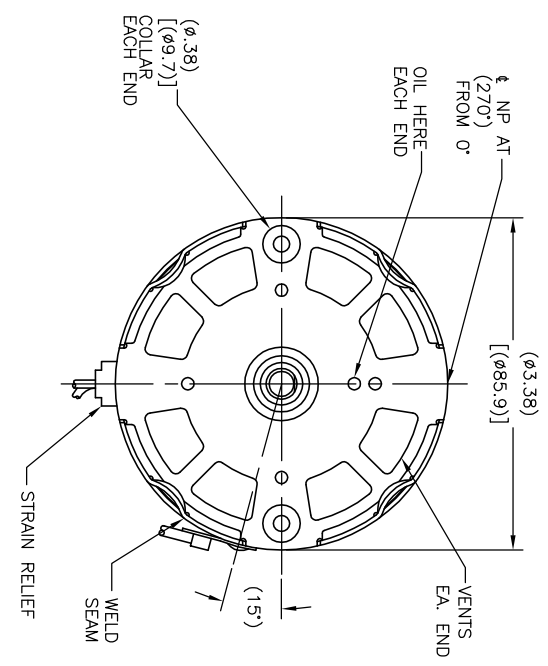
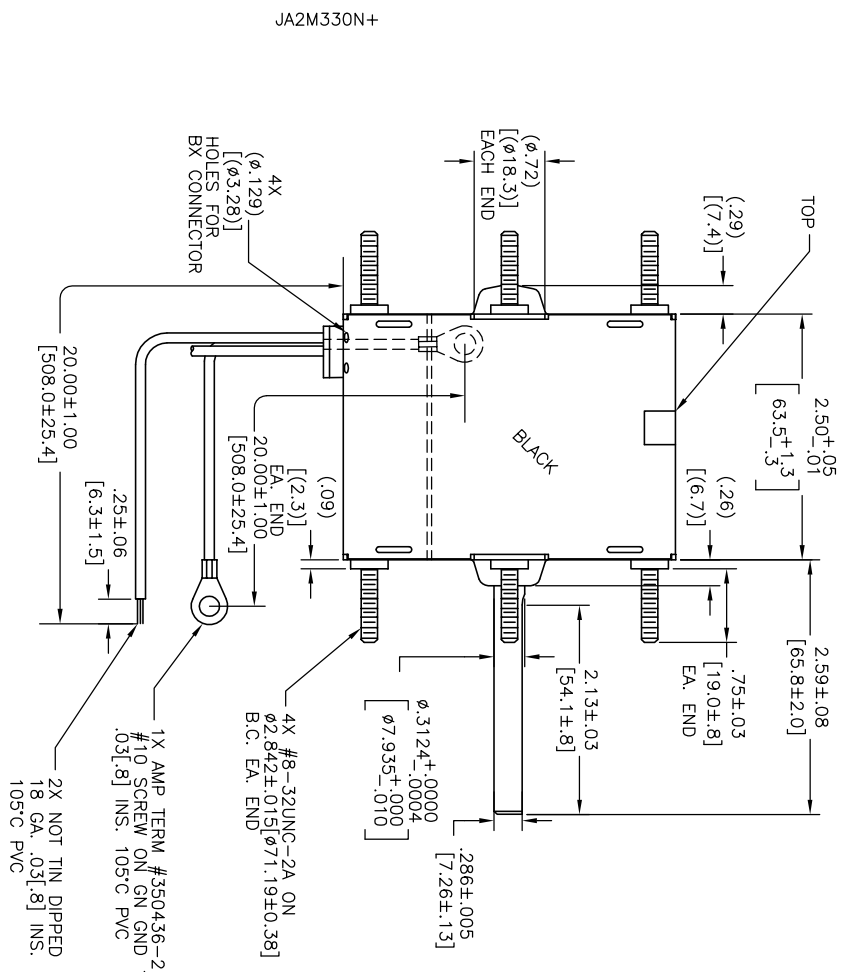


CUSTOMER IS SOLELY RESPONSIBLE FOR MOTOR PERFORMANCE AND SUITABILITY IN APPLICATIONS FOR CUSTOMER'S USES

REV	ECO	REV BY	DATE	APPD	DATE
AM	0027421	H.ZHOU	07-13-2012	B.SHEN	07-13-2012

END PLAY .04[1.0] MAX.



NAMEPLATE DATA:

Century THERMALLY PROTECTED

SER. DATE, PLT MOD JA2M330N+
 115V 60HZ 1.1A 1550RPM 1/40HP 1PH
 CWSE CONT. AO STOCK NO. 26 A0126

CLASS B INS. ASSEMBLED IN MEXICO

Tipp City, OH



GEOMETRIC CHARACTERISTICS & SYMBOLS

- FLATNESS
- STRAIGHTNESS
- PERPENDICULARITY (SQUARENESS)
- PARALLELISM
- ROUNDNESS (CIRCULARITY)
- CYLINDRICITY
- PROFILE OF ANY SURFACE
- RUNOUT
- TRUE POSITION
- CONCENTRICITY
- SYMMETRY

UNLESS OTHERWISE SPECIFIED DIM. TOLERANCES ARE AS FOLLOWS:

INCH	±.0005	XX	±.0005
INCH	±.0013	XXX	±.0013
ANG.	±50 DEG.	XXX	±.0013
REMOVE BURRS & BREAK SHARP EDGES:			
INCH	.003-.015		mm 0.1-0.4
CORNER FILLETS TO:			
INCH	.020		mm 0.5
TRUE SURFACES:			
INCH	125		mm 3.2

DR. BY: DD

APPD:

THIRD ANGLE PROJECTION

EDS DATE 11-11-2011

FORMAT REV H

CONFIDENTIAL: THIS DRAWING AND ITS INFORMATION ARE THE EXCLUSIVE AND CONFIDENTIAL PROPERTY OF REGAL-BELOIT CORPORATION AND ARE NOT TO BE DISCLOSED, DUPLICATED, DISTRIBUTED OR OTHERWISE USED WITHOUT THE WRITTEN CONSENT OF REGAL-BELOIT CORPORATION. -ALL RIGHTS RESERVED.

REGAL REGAL-BELOIT CORPORATION

DESCRIPTION: MODEL-SFHP-3.3 OUTLINE

SIZE: C DWG NO: JA2M330

SCALE: NONE

SHEET 1

ELECTRICALLY PER SAMPLE S-3434F

COWLE-CWSE BOM CHG [AH]