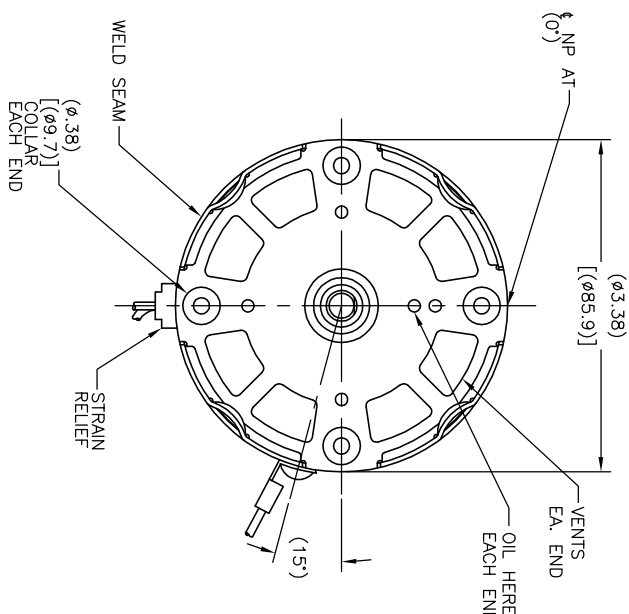
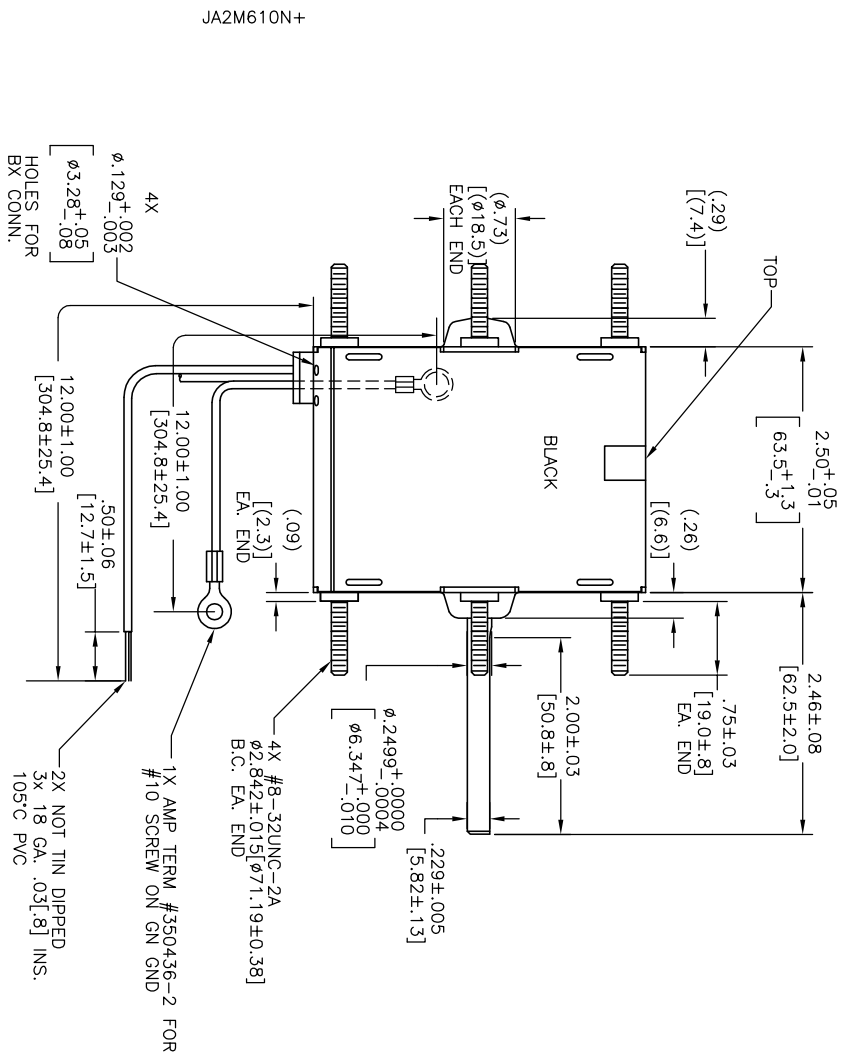


CUSTOMER IS SOLELY RESPONSIBLE FOR MOTOR PERFORMANCE AND SUITABILITY IN APPLICATIONS FOR CUSTOMER'S USES

REV	ECO	REV BY	DATE	APPD	DATE
BU	0027421	H.ZHOU	07-13-2012	B.SHEN	07-13-2012



JA2M610N+

JA2M610N+

NAMEPLATE DATA:

**Century**  
 THERMALLY PROTECTED  
 MOD JA2M610N+  
 SER. DATE, PLT 115V 60HZ .8A 1550RPM 1/50HP CONT AD 1PH  
 ROTATION → STOCK NO. 19  
 CLASS B INS. ASSEMBLED IN MEXICO



Tippecanoe, OH

GEOMETRIC CHARACTERISTICS & SYMBOLS	UNLESS OTHERWISE SPECIFIED DIM. TOLERANCES ARE AS FOLLOWS:
FLATNESS	INCH ±.005
STRAIGHTNESS	INCH ±.005
PERPENDICULARITY (SQUARENESS)	INCH ±.005
PARALLELISM	INCH ±.005
ROUNDNESS (CIRCULARITY)	INCH ±.005
CYLINDRICITY	INCH ±.005
PROFILE OF ANY SURFACE	INCH ±.005
TRUE POSITION	INCH ±.005
CONCENTRICITY	INCH ±.005
SYMMETRY	INCH ±.005

ELECTRICALLY PER SAMPLE S-3582F  
 CWLE-CWSE BOM CHG [BR]  
 AFTERMARKET

DR. BY:	W/C:	EDS DATE:	11-11-2011	DESCRIPTION:	MODEL-SFHP-3.3 OUTLINE	SCALE:	NONE	SHEET:	1
THIRD ANGLE PROJECTION		FORMAT:	REV H	REGAL-BELOTT CORPORATION		REGAL-BELOTT CORPORATION		REGAL-BELOTT CORPORATION	
CONFIDENTIAL: THIS DRAWING AND ITS INFORMATION ARE THE EXCLUSIVE AND CONFIDENTIAL PROPERTY OF REGAL-BELOTT CORPORATION AND ARE NOT TO BE DISCLOSED, DUPLICATED, DISTRIBUTED OR OTHERWISE USED WITHOUT THE WRITTEN CONSENT OF REGAL-BELOTT CORPORATION. ALL RIGHTS RESERVED.									

A

B

C

D

A

B

C

D

4

4

3

3

2

2

1

1