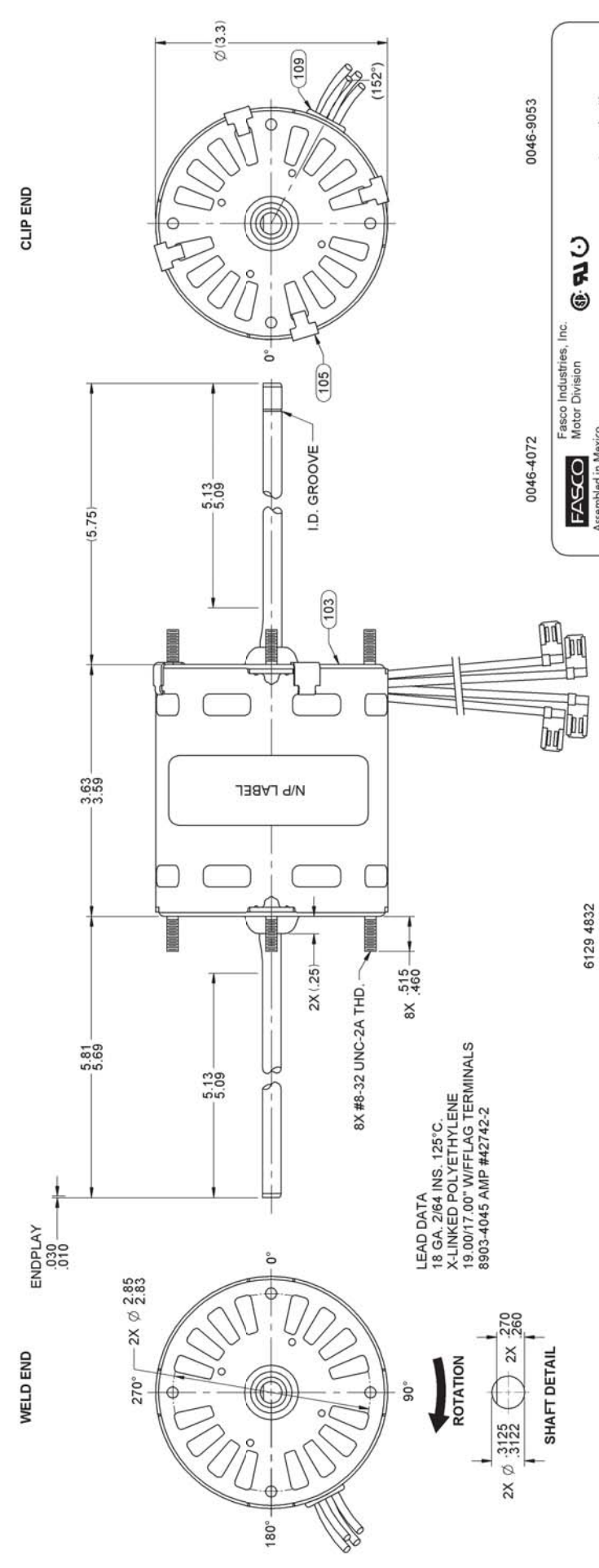


21	REVISED NAMEPLATE LABEL AND ADDED I.D. GROOVE TO SHAFT	SD 11/15/07	22	REMOVED BARCODE AND ADDED LRF TO NAMEPLATE	JUL 11-4-09	23	REVISED PACKING AND ADDED CARTON LABEL NOTES	4004943 MUM 03/14/12	ANGULAR +/- 1 DEGREE 2 PLACE DECIMAL +/- .01 3 PLACE DECIMAL +/- .005	STANDARD TOLERANCES: MUM 03/14/12
----	--	-------------	----	--	-------------	----	--	-------------------------	---	--------------------------------------



LEAD DATA
 18 GA. 2/64 INS. 125°C
 X-LINKED POLYETHYLENE
 19.00/17.00" W/FLAG TERMINALS
 8903-4045 AMP #42742-2

SAFETY WARNING
 This Motor Must Be Grounded
 In Accordance With Local Or
 National Electrical Codes
 To Prevent Possible Injury
 Due To Electrical Shock

0046-4072

FASCO Motor Division

Assembled in Mexico

No. 71636388

115 V

Model D367

1/10-1/15-1/30 HP LR6319

T.P. AO Class B

2.7/2.1/1.7 A

Max Amb: 40°C

0046-9053

Connection Diagram
 Wht _____ Common
 Blk _____ High
 Blu _____ Med
 Red _____ Low

NOTES:
 PACK 126 MOTORS MAXIMUM PER PALLET.
 MOTOR HAS #416 STAINLESS STEEL SHAFT.
 NO PACKAGING TAPE OVER CARTON LABEL.

FRONT SHAFT POSITION		TYPICAL PERFORMANCE AT 115 VOLTS 60 Hz.													
HORIZONTAL	UP DOWN	MOTOR SPEED	IDLE			LOADED			LOCKED			BREAK			
			R.P.M.	AMP.	WATT	IN.OZ.	R.P.M.	AMP.	WATT	IN.OZ.	AMP.	WATT	IN.OZ.	IN.OZ.	
			1779	1.99	106	58.2	1550	2.55	192	22.6	3.60	254	64.8		
CUSTOMER APPROVAL: SIGNED: DATE:	MED	LOW	1779	1.40	81	40.1	1400	1.88	144	16.7	2.32	166	45.0		
			1775	.98	59	23.3	1200	1.48	110	13.9	1.66	117	33.5		
CUSTOMER: FASCO DIST.		PART NUMBER: D367		APPLICATION: WINDOW AIR COND		MOTOR WEIGHT: 5.19 LBS.		ENVIRONMENT: DAMP		FINISH COLOR: BLACK		DRAWN BY: RM		DATE DRAWN: 1-17-02	
FASCO FASCO MOTORS GROUP AC MOTOR/BLOWER DIVISION		MOTOR TYPE		DRAWING NUMBER		SHADED POLE		REV.		REV.		REV.		REV.	
		7163 6388		A		B		C		E		A		23	

CONFIDENTIAL - DO NOT DUPLICATE OR DISCLOSE TO THIRD PARTIES WITHOUT WRITTEN PERMISSION OF FASCO MOTORS GROUP, AC MOTOR/BLOWER DIVISION.

6129 9553