

NOTES:

1. IMPELLER TO BE ASSEMBLED WITH HUB TOWARD MOTOR.
2. ASSEMBLE GROUND LEAD TO HOUSING WITH PC 325 SCREW AS SHOWN.
3. PLACE (1) PC 317 PTD GUARD AND (4) PC 324 SCREWS INSIDE PC 356 PLASTIC BAG AND PLACE INSIDE CARTON.
4. APPLY CONNECTION DIAGRAM IN LOCATION SHOWN, CONNECTION DIAGRAM TO READ WHEN BLOWER IS VIEWED IN A HORIZONTAL UNDERSHOT POSITION.
5. PACK 1 PER CONTAINER, 48 MAX. PER PALLET, PACKING ASSY: 87854000 12 PER LAYER, 4 LAYER PER PALLET P. S. 88834200 AND P. S. 88834408.
6. INSPECTION TEST FIXTURE IS REQUIRED.
7. USE TEST PLATE 33-274-001 FOR TESTING.
8. CARTON LABELS MUST ALL FACE ONE DIRECTION TOWARD THE OPEN END OF THE PALLET. SEE P. S. 88834408.
9. NO PACKAGING TAPE OVER CARTON LABEL.

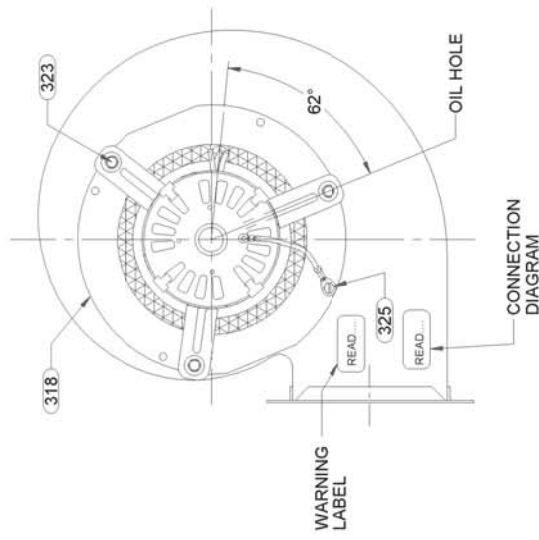
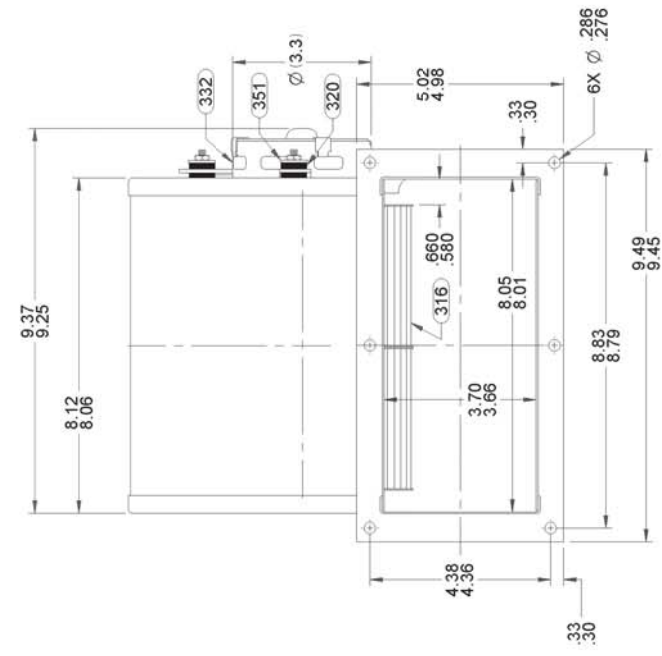
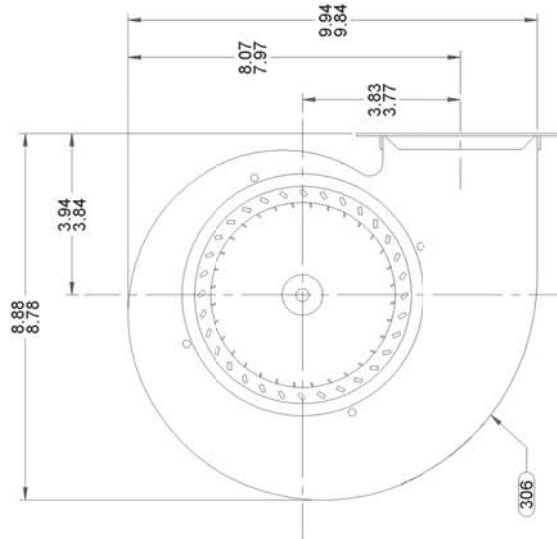
APPLICATION: COUNTER SALES
THERMALLY PROTECTED
CLASS "B" INSULATION

B	LA	FR	A	S	C	E	B	A
18	73	33	V	06	JR	6	3	0

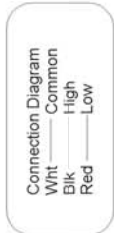
CUSTOMER: FASCO DIST. CO
CUSTOMER PART NO. B45230

LEAD MATERIAL
18 GA 125°C. 4/64 INSUL.
EPDM (1) WHITE,
(1) BLACK, (1) RED
20.00/18.00 IN. LONG
.68/.56 IN. STRIP

GROUND LEAD MATERIAL
18 GA 125°C 2/64 INSUL.
X-LINKED POLY. GRN/YEL.
5.00/4.00 IN. LONG
W/RING TERM. 89020156
AMP 61794-1



61294169



61294832

SAFETY WARNING
This Motor Must Be Grounded
In Accordance With Local Or
National Electrical Codes
To Prevent Possible Injury
Due To Electrical Shock

ECO NO.	REV.	DATE	APPROVAL	TYPICAL PERFORMANCE TEST DATA WITH A 2.00" INLET RESTRICTOR				AMPS	HZ.	UNLESS OTHERWISE SPECIFIED DIMENSIONS ARE IN INCHES TOLERANCES ARE FRACTIONS DECIMALS ANGLES ±.116 .XX .XXX ±.005 ±.1	
				AT	230	VOLTS	60			R.P.M.	WATTS
4004803	43	03/06/2012	MLM/PLA	HIGH	1667	111	.81	60	9-25-2003	ATM	
4006839	44	9/25/2012	PLA/SED	LOW	1603	80	.56	60	9-25-2003	SRM	
4011093	45	12/20/2013	MLH/BGP	BLOWER WEIGHT		FINISH COLOR		BLACK		DO NOT SCALE DRAWING	
				8.75	LEBS.						

FASCO FASCO MOTORS GROUP
AC MOTORBLOWER DIVISION

CONFIDENTIAL. DO NOT REPLICATE OR DISCLOSE TO THIRD PARTIES WITHOUT
WRITTEN PERMISSION OF FASCO MOTORS GROUP AC MOTORBLOWER DIVISION.

TITLE: BLOWER ASSEMBLY
REV: 45
DWG. NO. 7063 3515
SIZE: B

SHEET 1 OF 1