

NOTES:

1. IMPELLER TO BE .215/125 FROM MOUNTING CUP TO IMPELLER.
2. SWITCH MUST MAKE CONTACT BETWEEN 1800-2500 RPM AS SPEED INCREASES AND BREAK 50-500 RPM BELOW ACTUAL MAKE.
3. SWITCH MECHANISM TO GIVE QUIET OPERATION ABOVE 2500 RPM.
4. INDIVIDUAL PACK: PACK 1 PER CONTAINER, 120 MAX. PER PALLET. PACKING ASSY. 87854000. 20 CARTONS PER LAYER, 6 LAYERS PER PALLET. P.S. 88834200 AND P.S. 88834408.
5. BULK PACK: PACK 20 PER CONTAINER, 160 MAX. PER PALLET. PACKING ASSY. 87854614. P.S. 88834200 AND 88834408.
6. CARTON LABELS MUST ALL FACE ONE DIRECTION TOWARD THE OPEN END OF THE PALLET. SEE P.S. 88834408.
7. NO PACKAGING TAPE OVER CARTON LABEL.

APPLICATION

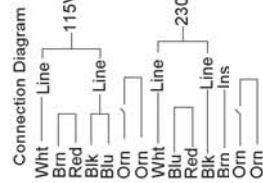
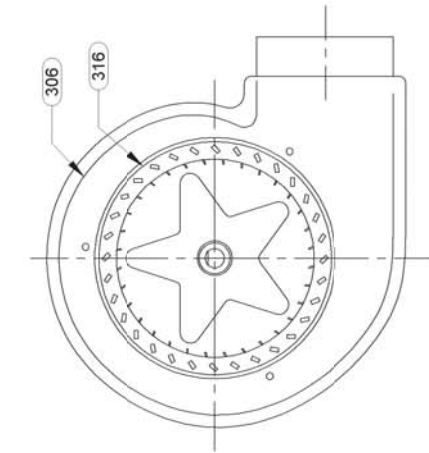
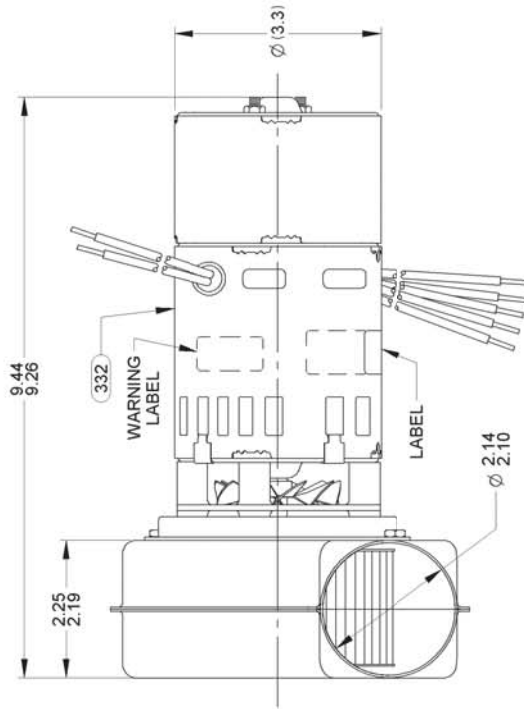
THERMALLY PROTECTED CLASS "B" INSULATION SEALED BALL BEARING

B	LA	FR	A	S	C	E	B	A
06	21	34	F	02	HC	9	0	0

CUSTOMER: FASCO DIST.  
CUSTOMER PART NO. B23618

LEAD MATERIAL:  
18 GA. 125° C. 2/64 INSUL. X-LINKED POLY. (1) WHT (1) BLU (1) BRN (1) RED, AND (1) BLK 8.00/6.00 IN. LONG .56/44 IN. STRIP

SWITCH LEADS:  
18 GA. 125° C. 4/64 INSUL. EPDM. ORN (1) 9.50/7.50 IN. LONG (1) 8.00/6.00 IN. LONG .31/18 IN. STRIP



UNLESS OTHERWISE SPECIFIED DIMENSIONS ARE IN INCHES TOLERANCES ARE FRACTIONS DECIMALS ANGLES

± 1/16	± .005	± .005	± 1°
XXX	± .005		

APPROVALS	DATE	APPROVALS	DATE
RPT	08/28/06		
PLA	08/28/06		

ECO NO.	REV.	DATE	APPROVAL	AT	R.P.M.	VOLTS	WATTS	HZ.	AMPS
4001273	50	03/01/11	KSA/SED	115	3106	60	68		.87
4001565	51	03/31/11	MLM/PLA						
4008856	52	4/9/2013	KSA/SDM						
4010881	53	12/3/2013	MLS/PLA						

END PLAY	FINISH COLOR
.XX/XX	BLACK

FASCO MOTORS GROUP AC MOTOR/BLOWER DIVISION	
CONFIDENTIAL. DO NOT DUPLICATE OR DISCLOSE TO THIRD PARTIES WITHOUT WRITTEN PERMISSION OF FASCO MOTORS GROUP AC MOTOR/BLOWER DIVISION.	
TITLE: BLOWER ASSEMBLY	
SIZE: B	DWG. NO. 7021 5932
REV. 53	
DO NOT SCALE DRAWING SHEET 1 OF 1	