

NOTES:

1. PACK 1 PER CONTAINER, 120 MAX. PER PALLET, PACKING ASSY. 87854000, 20 CARTONS PER LAYER, 6 LAYERS PER PALLET, P.S. 88834200 AND P.S. 88834408.
2. SWITCH MUST MAKE CONTACT BETWEEN 1800-2500 RPM AS SPEED INCREASES AND BREAK 50-500 RPM BELOW ACTUAL MAKE.
3. SWITCH MECHANISM MUST GIVE QUIET OPERATION ABOVE 2500 RPM.
4. IMPELLER TO BE ASSEMBLED FROM EDGE OF MOUNTING CUP USING A .125 GAGE.
5. CARTON LABELS MUST ALL FACE ONE DIRECTION TOWARD THE OPEN END OF THE PALLET. SEE P.S. 88834408.
6. NO PACKAGING TAPE OVER CARTON LABEL.

APPLICATION

THEMALLY PROTECTED CLASS "B" INSULATION

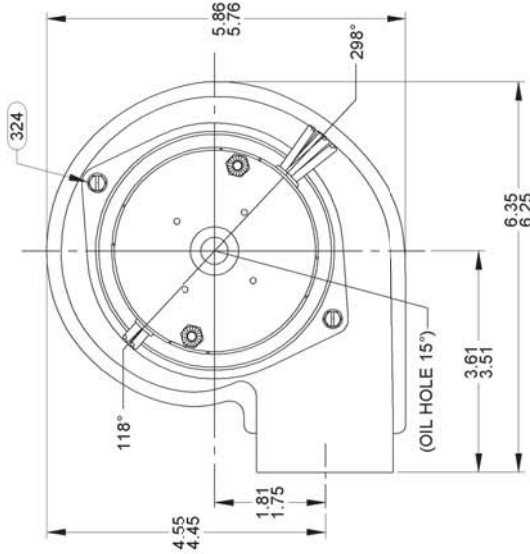
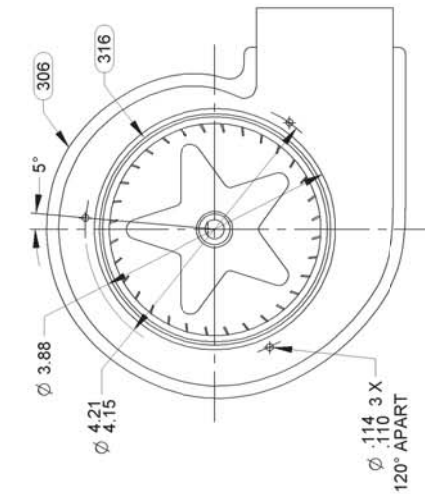
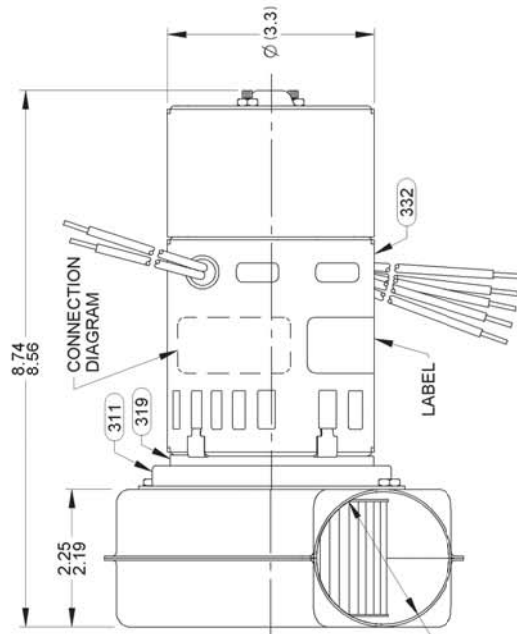
CUSTOMER FASCO DIST.
CUSTOMER PART NO. B23617

If Printed, this is an Uncontrolled Document

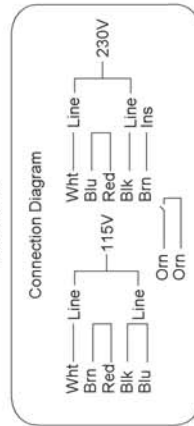
B	LA	FR	A	S	C	E	B	A
06	21	34	F	02	OR	5	3	0

LEAD MATERIAL
18 GA. 125°C 2/64 INSUL.
X-LINK POLY. (1) WHITE
(1) BROWN, (1) RED,
(1) BLACK, (1) BLUE,
8.00/6.00 IN. LONG
.56/.44 IN. STRIP

SWITCH LEADS
18 GA. 125°C 4/64 INSUL.
EPDM. ORANGE
(1) 9.50/7.50 IN. LONG
(1) 8.00/6.00 IN. LONG
W/ .31/.19 IN. STRIP



6130-5023



UNLESS OTHERWISE SPECIFIED DIMENSIONS ARE IN INCHES TOLERANCES ARE FRACTIONS DECIMALS ANGLES ± 1/16 .005 ± 1.1° .005 ± 1.1°

ECO NO.	REV.	DATE	APPROVAL	AT	115/230 VOLTS	WATTS	R.P.M.	AMPS
4001554	38	03/30/11	MLM/PLA	115V	70	2839	.87	
4003446	39	10/17/11	PLA/SED					
4008176	40	2/7/2013	SDM/BGP					

APPROVALS: MLM (DRAWN), PLA (CHECKED)DATE: 10/23/06
FINISH COLOR: BLACK

FASCO MOTORS GROUP AC MOTORBLOWER DIVISION	
CONFIDENTIAL - DO NOT DUPLICATE OR DISCLOSE TO THIRD PARTIES WITHOUT WRITTEN PERMISSION OF FASCO MOTORS GROUP AC MOTORBLOWER DIVISION.	
TITLE: BLOWER ASSEMBLY	
SIZE: B	DWG NO: 7021 5703
REV: 40	SHEET 1 OF 1