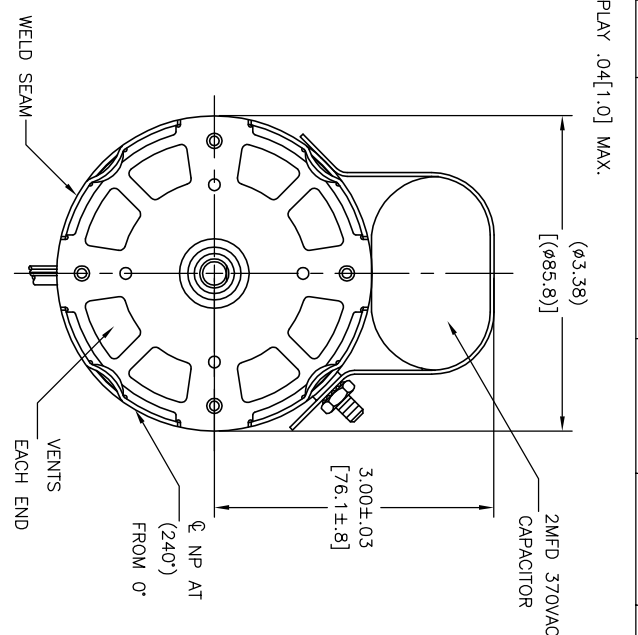
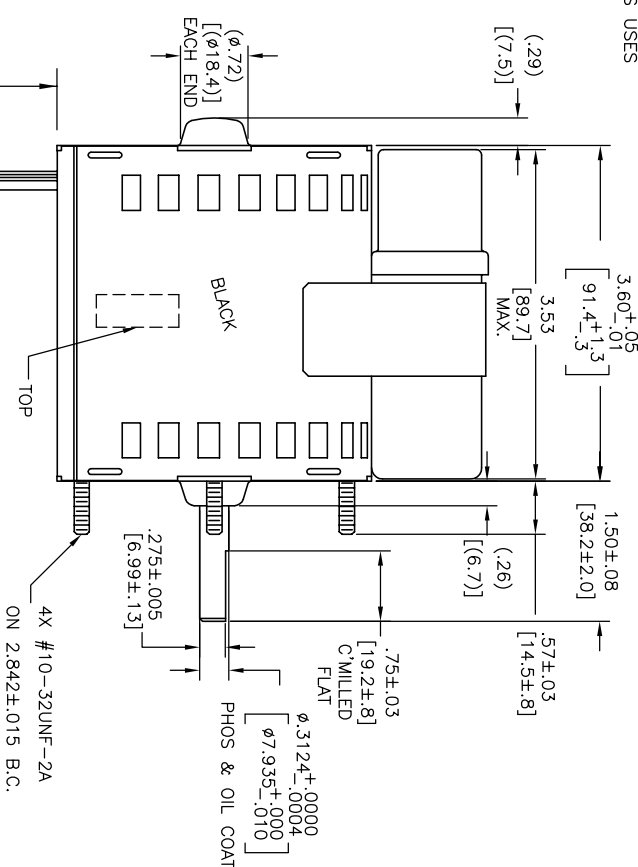


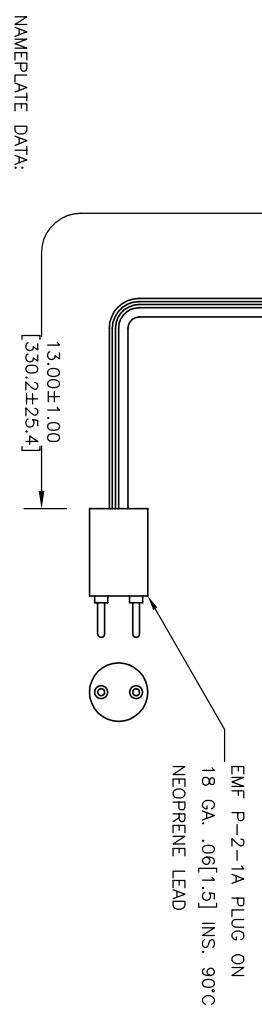
CUSTOMER IS SOLELY RESPONSIBLE FOR MOTOR PERFORMANCE AND SUITABILITY IN APPLICATIONS FOR CUSTOMER'S USES

REV	ECO	REV BY	DATE	APPD	DATE
D	0027407	FANVARRO	07-13-2012	MAVILA	07-13-2012

JE2F049N



JE2F049N



THERMALLY PROTECTED

MOD JE2F049N

SER. DATE, PLT
 208-230V 50/60HZ .4/.3A 1350/1640RPM 1/15HP
 1PH CONT. A.O. CLASS B INS. MAX. AMB. 40°C
 2MFD 370VAC CAPACITOR ASSEMBLED IN MEXICO
 ← ROTATION → STOCK MOTOR 9634



Tipp City, OH

GEOMETRIC CHARACTERISTICS & SYMBOLS
 a FLATNESS
 b STRAIGHTNESS
 c SURFACE FINISH
 d PERPENDICULARITY (SQUARENESS)
 e PARALLELISM
 f ROUNDNESS (CIRCULARITY)
 g CYLINDRICITY
 h PROFILE OF ANY SURFACE
 i RUNOUT
 j TRUE POSITION
 k CONCENTRICITY
 l SIMILARITY

UNLESS OTHERWISE SPECIFIED DIM. TOLERANCES ARE AS FOLLOWS:
 INCH DIM. ±.0005
 ANG. ±.01 DEG.
 REMOVE BURRS & BREAK SHARP EDGES:
 CORNER FILLETS TO:
 INCH .020 mm 0.5
 MACHINE SURFACES:
 INCH 125 mm 3.2

DR. BY: SBOWLI
 APPD: .
 THIRD ANGLE PROJECTION
 EDS DATE 11-11-2011
 CONFIDENTIAL: THIS DRAWING AND ITS INFORMATION ARE THE EXCLUSIVE AND CONFIDENTIAL PROPERTY OF REGAL-BELOIT CORPORATION AND ARE NOT TO BE DISCLOSED, DUPLICATED, DISTRIBUTED OR OTHERWISE USED WITHOUT THE WRITTEN CONSENT OF REGAL-BELOIT CORPORATION. ALL RIGHTS RESERVED.

REGAL-BELOIT CORPORATION
 MODEL-SFHP-3.3
 OUTLINE
 JE2F049

