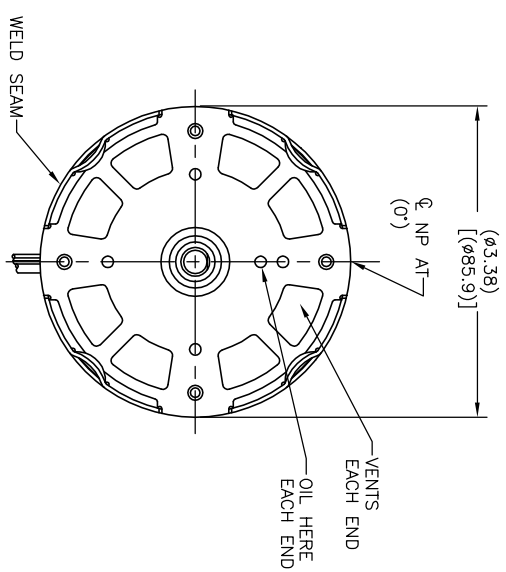
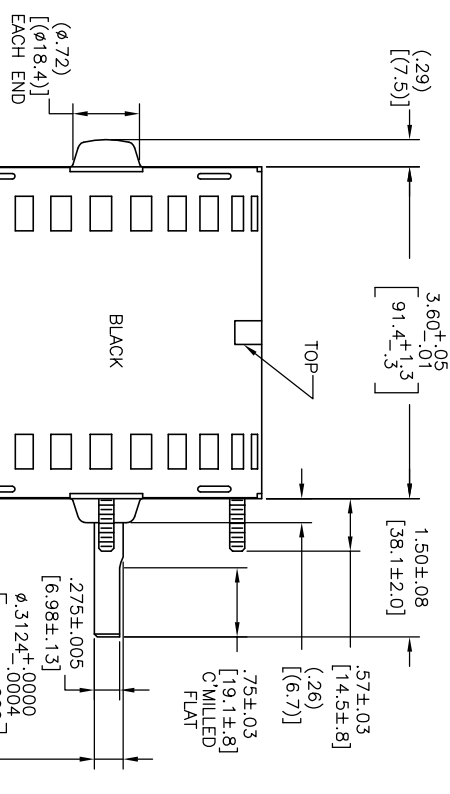


CUSTOMER IS SOLELY RESPONSIBLE FOR MOTOR PERFORMANCE AND SUITABILITY IN APPLICATIONS FOR CUSTOMER'S USES

JA2Y057N"



END PLAY .04[1.0] MAX.

1X EWF P-2-1A PLUG ON  
18 GA. .06[1.5] INS. 90°C  
NEOPRENE LEAD

4X #10-32UNF-2A  
ON ø2.842±.015  
[ø72.19±.39]B.C.

ELECTRICALLY PER  
SAMPLE S-8617E  
CCWLE-CWSE

NAMEPLATE DATA:  
**Century**  
THERMALLY PROTECTED  
Tipp City, OH  
SER. DATE, PLT MOD JA2Y057N" STK. NO. 9632  
208-230V 50/60HZ 1.0/1.2A 1300/1550RPM  
1/15HP 1PH CONT. A.O. CLASS B INS. MAX. AMB. 40°C  
ASSEMBLED IN MEXICO  
← ROTATION →

AFTERMARKET  
STK. NO. 9632

GEOMETRIC CHARACTERISTICS & SYMBOLS  
c FLATNESS  
d STRAIGHTNESS  
e PERPENDICULARITY (SQUARENESS)  
f PARALLELISM  
g ROUNDNESS (CIRCULARITY)  
h PROFILE OF ANY SURFACE  
i RUNOUT  
j TRUE POSITION  
k CONCENTRICITY  
l SYMMETRY

UNLESS OTHERWISE SPECIFIED  
DIM. TOLERANCES ARE AS FOLLOWS:  
INCH ±.0005  
ANG. ±.01  
REMOVE BURRS & BREAK SHARP EDGES:  
CORNER FILLETS TO:  
MACHINE SURFACES:  
MACHINE 125/ mm 3.2/

DR. BY: TIGRETT  
APPD: .  
THIRD ANGLE PROJECTION  
EDS DATE 11-11-2011  
FORMAT REV H  
DESCRIPTION  
MODEL-SFHP-3.3  
OUTLINE  
SCALE NONE  
SHEET 1

**REGAL**  
**REGAL-BELOTT CORPORATION**

4 3 2 1

REV	ECO	REV BY	DATE	APPD	DATE
D	0027407	FANVARRO	07-13-2012	MAVILA	07-13-2012

JA2Y057N"