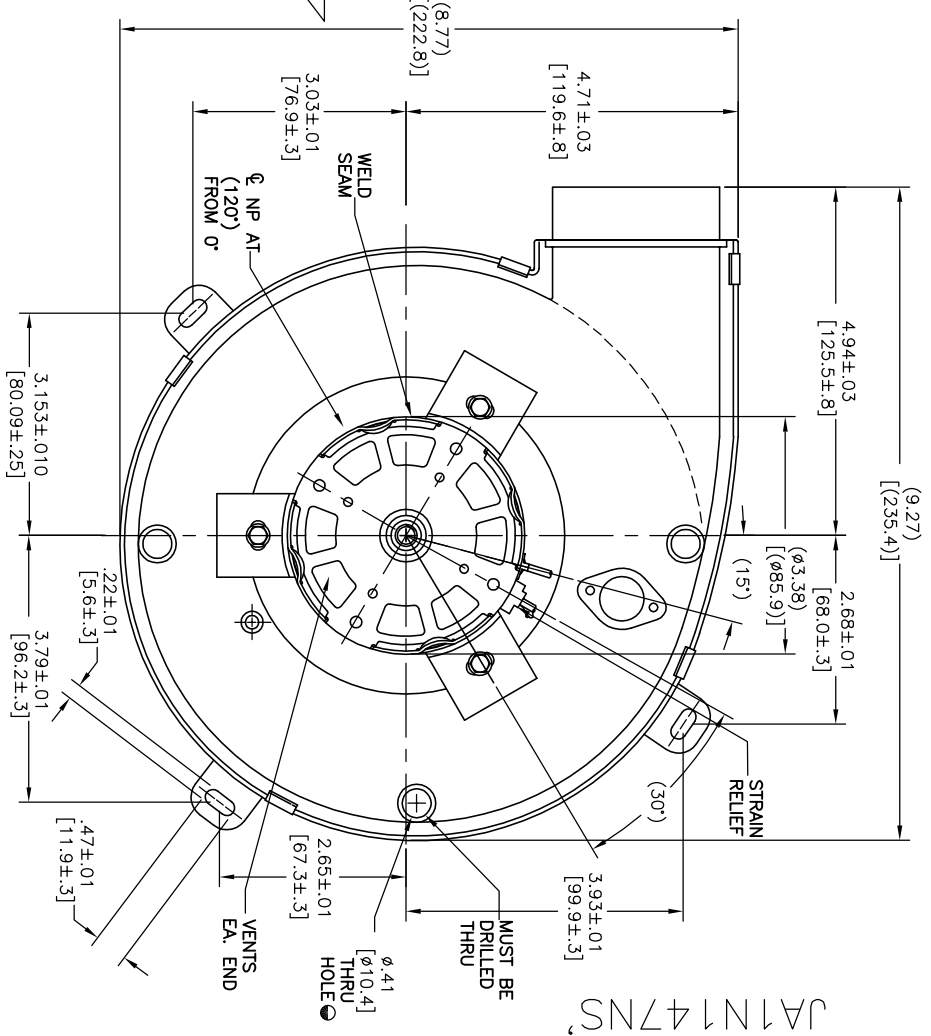
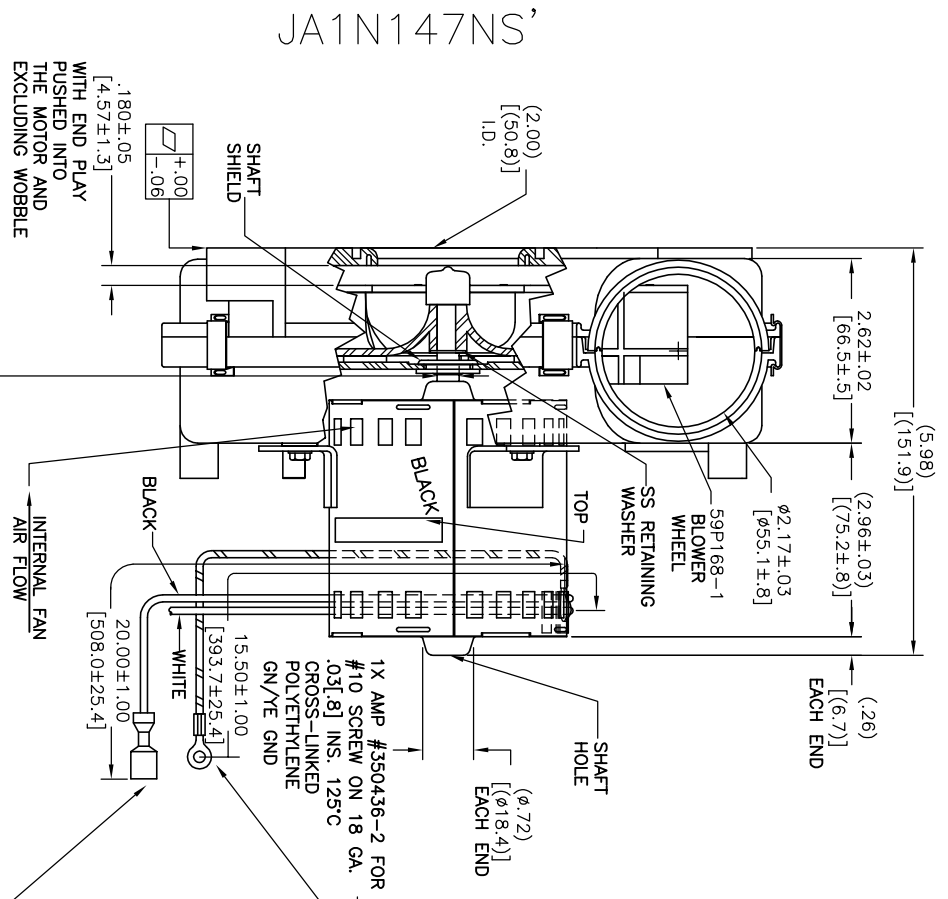


CUSTOMER IS SOLELY RESPONSIBLE FOR MOTOR PERFORMANCE AND SUITABILITY IN APPLICATIONS FOR CUSTOMER'S USES

END PLAY .04[1.0] MAX.



NAMEPLATE IS TO BE WHITE BACKGROUND WITH BLACK LETTERING

CLASSIFICATION OF SPECIFICATIONS
 ● = CRITICAL
 ○ = MAJOR

ELECTRICALLY PER SAMPLE S-4030F
 CCW/LE

NAMEPLATE DATA:

Century THERMALLY PROTECTED
 Tipp City, OH

SER. DAT. PLT MTR MOD JA1N147NS
 115V 60HZ 1.35A 3200RPM .03HP .40 1PH
 CLASS B INS. MAX. AMB. 40°C STOCK NO. 9619
 ASSEMBLED IN MEXICO

GEOMETRIC CHARACTERISTICS & SYMBOLS

- FLATNESS
- STRAIGHTNESS
- PERPENDICULARITY (SQUARENESS)
- PARALLELISM
- ROUNDNESS (CIRCULARITY)
- CYLINDRICITY
- PROFILE OF ANY SURFACE
- RUNOUT
- TRUE POSITION
- CONCENTRICITY
- SYMMETRY

UNLESS OTHERWISE SPECIFIED DIM. TOLERANCES ARE AS FOLLOWS:

INCH	±.001	±.002	±.005	±.010	±.015	±.030	±.060
MM	±.025	±.050	±.100	±.150	±.250	±.500	±.1000

REMOVE BURRS & BREAK SHARP EDGES:
 INCH .003-.015 mm 0.1-0.4
 CORNER FILLETS TO:
 INCH .020 mm 0.5
 MACHINE SURFACES:
 INCH 125 mm 3.2

DR. BY: THEROB
 APPD: 03-25-2000
 EDS DATE 02-22-2008
 THIRD ANGLE PROJECTION
 CONFIDENTIAL: THIS DRAWING AND ITS INFORMATION ARE THE EXCLUSIVE AND CONFIDENTIAL PROPERTY OF REGAL-BELOIT CORPORATION AND ARE NOT TO BE DISCLOSED, REPRODUCED, COPIED, OR OTHERWISE USED WITHOUT THE WRITTEN CONSENT OF REGAL-BELOIT CORPORATION. ALL RIGHTS RESERVED.

REGAL-BELOIT CORPORATION
 OUTLINE
 MODEL-SFHP-3.3
 JA1N147