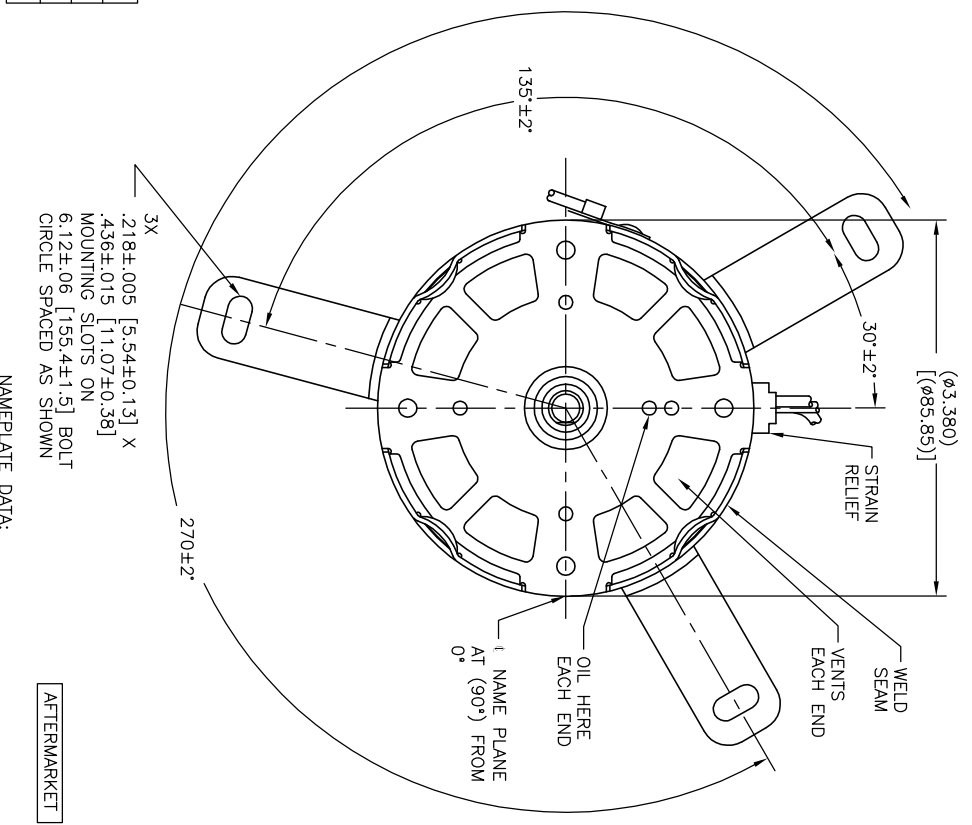
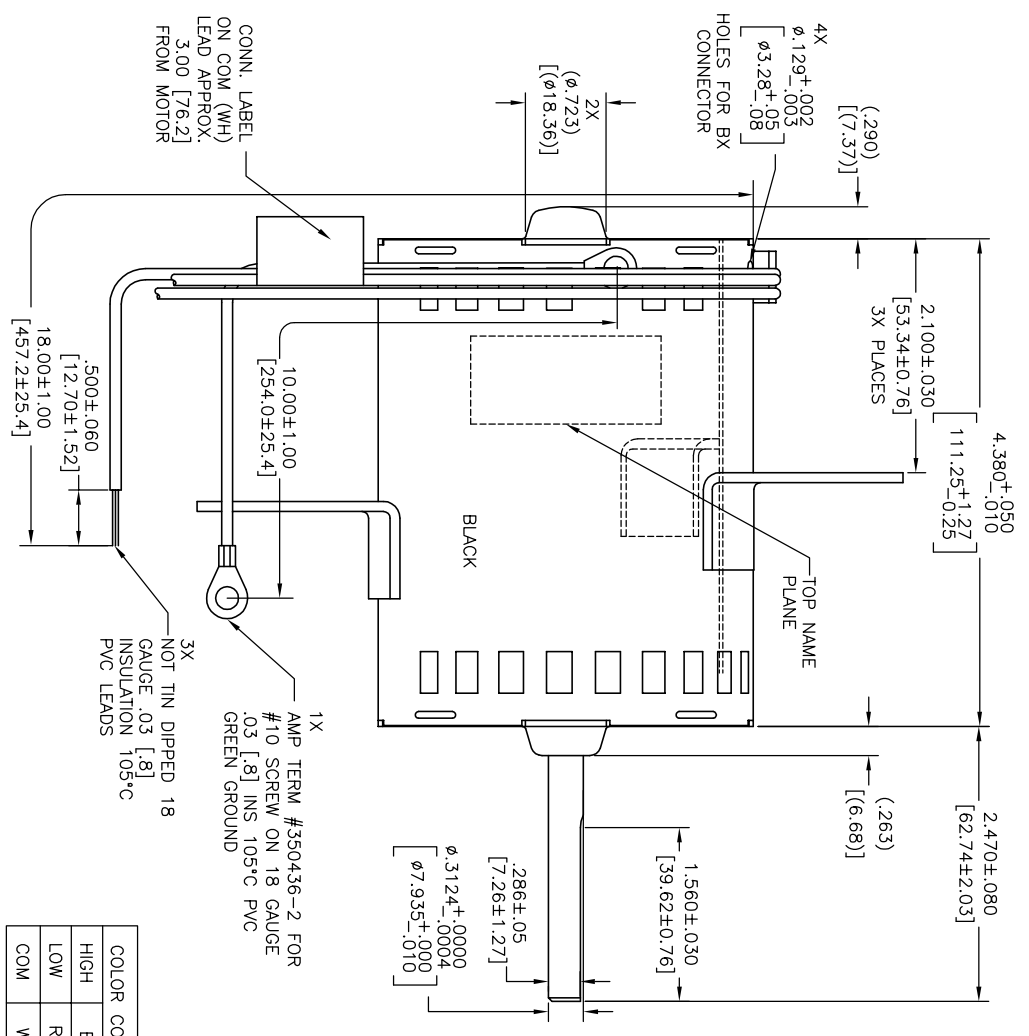


REV	ECO	REV BY	DATE	APPD	DATE
AL	0027413	L. ORTIZ	07-16-2012	G. ALVAREZ	07-16-2012

END PLAY .40 [1.0] MAXIMUM



COLOR CODE	HIGH BK
LOW RD	
COM WH	

SHIP SEPARATE: ELECTRICALLY PER SAMPLE S-6977D BAG ASSEMBLY EXCEPT CONST.

CONN. LABEL 631473-7

CWLE-CWSE BOM CHG [Ag]

Century THERMALLY PROTECTED
 Tipp City, OH
 SER DATE: P/LT MOD JA2R225N" STOCK NO. 563
 115V 60HZ 2.9A 1600RPM 1/15HP 2 SPEED
 CLASS B INS. MAX AMB 40°C CONT A.O. 1PH
 ASSEMBLED IN MEXICO

GEOMETRIC CHARACTERISTICS & SYMBOLS
 ▮ FINISH
 ▮ SURFINISH
 ▮ PERPENDICULARITY (SQUARENESS)
 ▮ PARALLELISM
 ▮ ROUNDNESS (CIRCULARITY)
 ▮ CYLINDRICITY
 ▮ PROFILE OF ANY SURFACE
 ▮ RUNOUT
 ▮ TRUE POSITION
 ▮ CONCENTRICITY
 ▮ SYMMETRY

UNLESS OTHERWISE SPECIFIED DIM. TOLERANCES ARE AS FOLLOWS:
 INCH ±.005
 ANG. ±50 DEG.
 REMOVE BURRS & BREAK SHARP EDGES:
 CORNER FILLETS TO:
 INCH .020 mm 0.5
 MACHINE SURFACES:
 INCH 125 mm 3.2

DR BY: JIMERM
 DATE: 12-03-2002
 EDS DATE: 11-11-2011
 FORMAT REV: H
 THIRD ANGLE PROJECTION
 CONFIDENTIAL: THIS DRAWING AND ITS INFORMATION ARE THE EXCLUSIVE AND PROPRIETARY PROPERTY OF REGAL-BELOIT CORPORATION AND ARE NOT TO BE DISCLOSED, DUPLICATED, DISTRIBUTED OR OTHERWISE USED WITHOUT THE WRITTEN CONSENT OF REGAL-BELOIT CORPORATION. ALL RIGHTS RESERVED.

REGAL-BELOIT CORPORATION
 MODEL-SFHP-3.3
 OUTLINE
 JA2R225