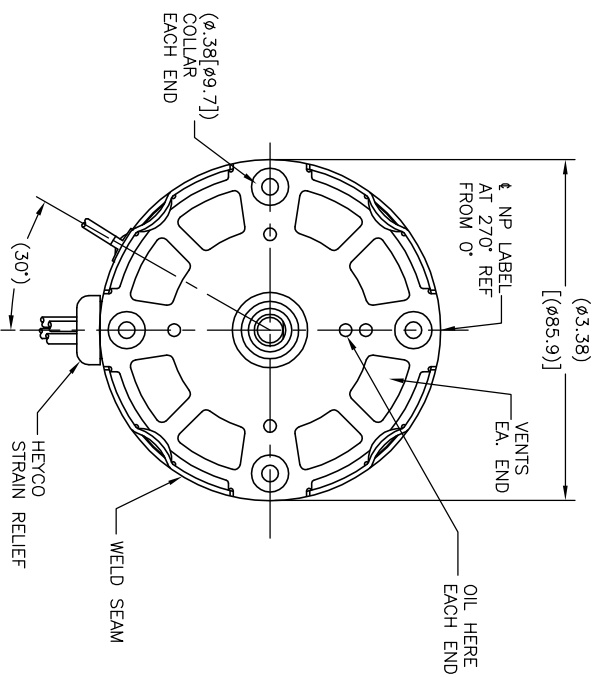
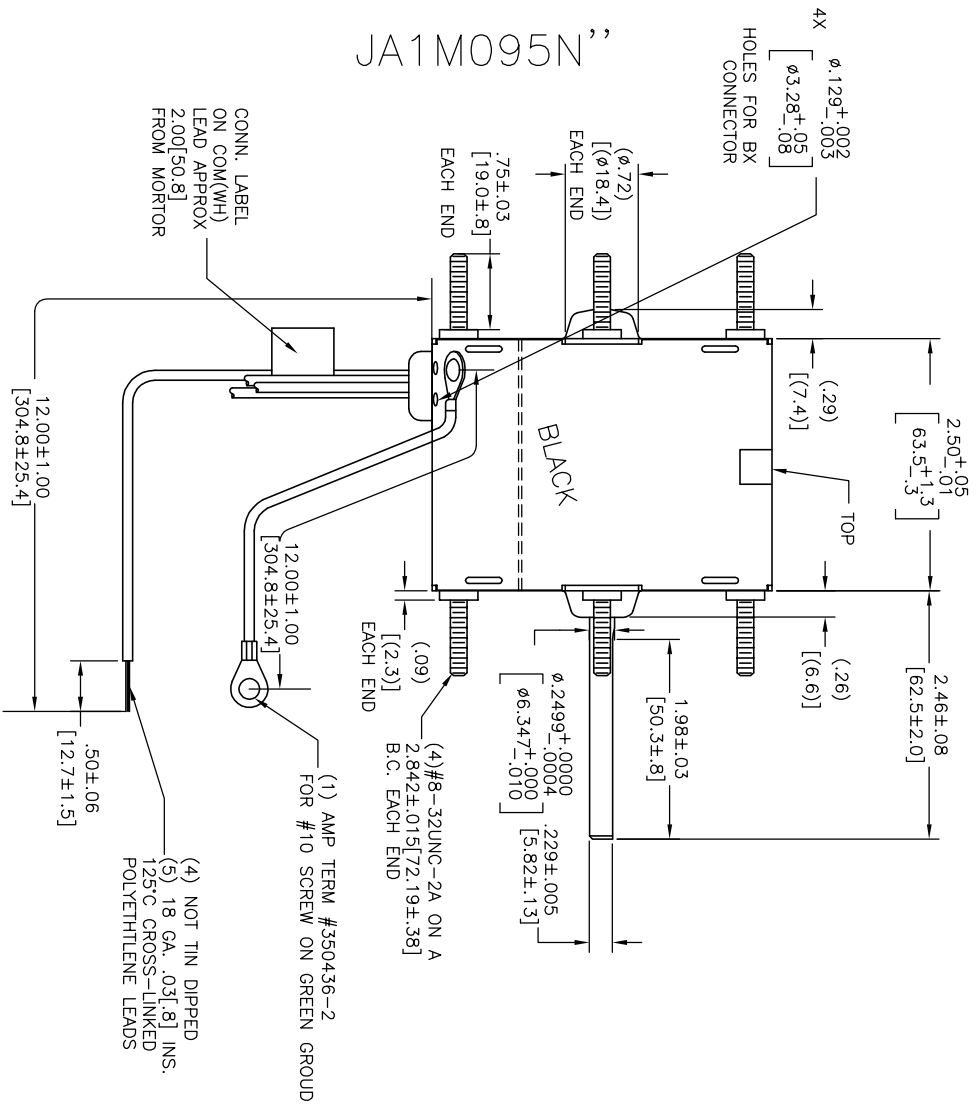


CUSTOMER IS SOLELY RESPONSIBLE FOR MOTOR PERFORMANCE AND SUITABILITY IN APPLICATIONS FOR CUSTOMER'S USES



JA1M095N

JA1M095N

CONN. LABEL
63T473-8

COLOR CODE	
BLACK	HIGH
BLUE	MED
RED	LOW
WHITE	COM

ELECTRICALLY PER
SAMPLE S-1101D
EXCEPT CONST.

CWLE-CWSE

BOM CHANGE [AK]

AFTERMARKET

A

A

B

B

C

C

D

D

4

3

2

1

REV	ECO	REV BY	DATE	APPD	DATE
AN	0027415	F. MORENO	07-13-2012	G. ALVAREZ	07-13-2012

NAMEPLATE DATA:

Century
REGAL THERMALLY PROTECTED
 Tipp City, OH
 SER. DAT ,PLT MOD JA1M095N"
 115V 60HZ 1.6A 3000RPM 1PH CONT A.O. STK #462
 CLASS B INS MAX AMB 40°C ROTATION
 HI-1.6A 1/30HP MED-.74A 1/50HP ASSEMBLED
 LOW-.43A 1/75HP WH-COM IN MEXICO

GEOMETRIC CHARACTERISTICS & SYMBOLS

- FLATNESS
- STRAIGHTNESS
- PERPENDICULARITY (SQUARENESS)
- PARALLELISM
- ROUNDNESS (CIRCULARITY)
- CYLINDRICITY
- PROFILE OF ANY SURFACE
- RUNOUT
- TRUE POSITION
- CONCENTRICITY

UNLESS OTHERWISE SPECIFIED DIM. TOLERANCES ARE AS FOLLOWS:

INCH	+	XX	+	XX	XXX
mm	+	0.5	+	0.13	±0.013

REMOVE BURRS & BREAK SHARP EDGES:
 INCH .020 mm 0.5
 CORNER FILLETS TO:
 INCH 125 mm 3.2

DR BY: _____
 APPD: _____
 EDS DATE 11-11-2011
 FORMAT REV H

THIRD ANGLE PROJECTION

REGAL-BELOTT CORPORATION

MODEL-SFHP-3.3
OUTLINE

JA1M095

SCALE NONE

SHEET 1

ASME Y14.5M 1994

CONFIDENTIAL: THIS DRAWING AND ITS INFORMATION ARE THE EXCLUSIVE AND CONFIDENTIAL PROPERTY OF REGAL-BELOTT CORPORATION AND ARE NOT TO BE DISCLOSED, DUPLICATED, DISTRIBUTED OR OTHERWISE USED WITHOUT THE WRITTEN CONSENT OF REGAL-BELOTT CORPORATION. -ALL RIGHTS RESERVED.

4

3

2

1