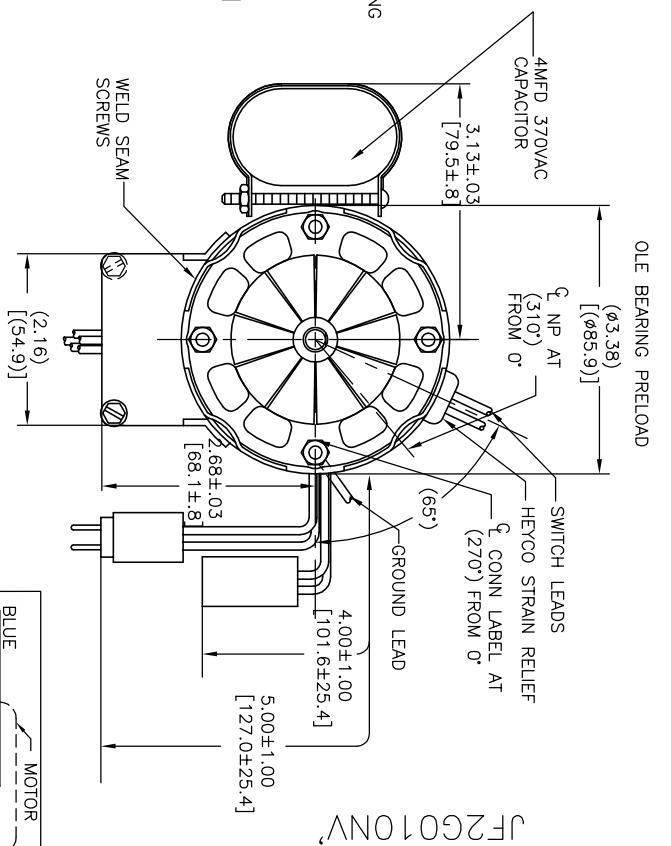
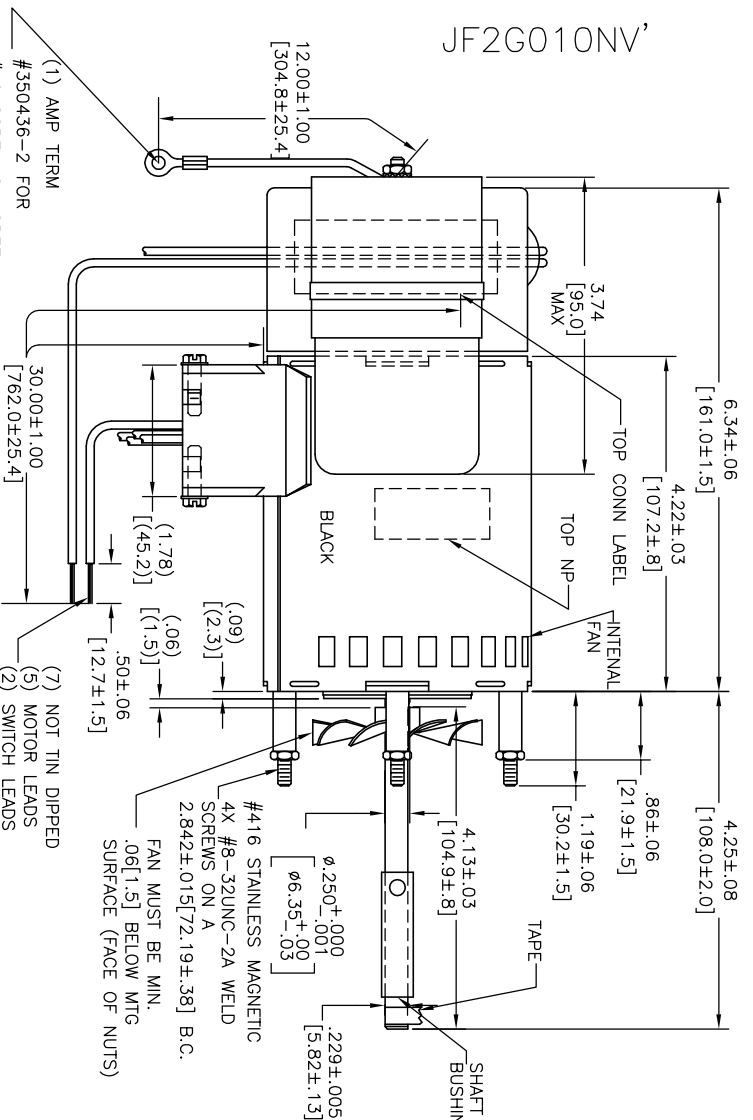


CUSTOMER IS SOLELY RESPONSIBLE FOR MOTOR PERFORMANCE AND SUITABILITY IN APPLICATIONS FOR CUSTOMER'S USES



(1) AMP TERM
#350436-2 FOR
#10 SCREW ON GREEN
GROUND 18 GA. .031[.8] INS.
125°C CROSS-LINKED
POLYETHYLENE

NAMEPLATE DATA:



THEMALLY PROTECTED
Tipp City, OH

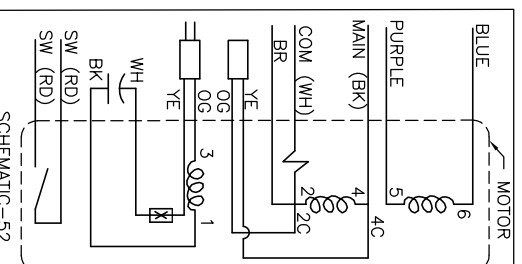
SER:DATE PLT MOD JF2G010NV' STK NO 433
115/208-230V 60HZ .71/.34-.38A 1550RPM 1PH
CLASS B INS. 1/20HP CONT AO ASSEMBLED
BALL BRG 5MFD 370VAC CAP IN MEXICO
CENT. SWITCH MAX. 2A @ 120V "ROTATION REV"

CONN. LABEL
631472-130

ELECTRICALLY PER
SAMPLE S-6428D

115V BU & BK TO ONE LINE, PR & BR
TOGETHER & INS., WH TO OTHER LINE
230V BU TO ONE LINE, PR & BK TOGETHER
& INS., WH TO OTHER LINE, BR INSULATED

CWSE PLUG IN YELLOW LEAD
TO ORANGE LEAD
CCWSE PLUG IN ORANGE LEAD
TO ORANGE LEAD
[REVERSIBLE]



GEOMETRIC CHARACTERISTICS & SYMBOLS
FLATNESS
SURFINENESS
PERPENDICULARITY (SQUARENESS)
PARALLELISM
ROUNDNESS (CIRCULARITY)
CYLINDRICITY
PROFILE OF ANY SURFACE
RUNOUT
TRUE POSITION
CONCENTRICITY
SYMMETRY

UNLESS OTHERWISE SPECIFIED
DIM. TOLERANCES ARE AS FOLLOWS:
INCH ±.0005
X ±.0005
XX ±.0005
XXX ±.0013
ANG. ±50 DEG.
REMOVE BURRS & BREAK SHARP EDGES:
INCH .003-.015 mm 0.1-0.4
CORNER FILLETS TO:
INCH .020 mm 0.5
MACHINE SURFACES:
INCH 125 mm 3.2
METRIC DIMS. SHOWN IN [BRACKETS]

DR. BY: DD
APPD: .
THIRD ANGLE PROJECTION
EDS DATE 11-11-2011
FORMAT REV H

REGAL REGAL-BELOTT CORPORATION
DESCRIPTION
MODEL-SFHP-3.3
OUTLINE
SIZE C DWG NO JF2G010
SCALE NONE
SHEET 1

4

3

2

1

A